



USER MANUAL – EN
Paddleboard inSPORTline

CONTENTS

SAFETY INSTRUCTIONS..... 3
VALVE 3
INFLATION AND ATTACHMENT OF THE FIN 5
DEFLATING AND REMOVING THE FIN 6
GENERAL INFORMATION ON USE, MAINTENANCE AND STORAGE 6
PACKAGE CONTENTS 8
ENVIRONMENT PROTECTION 8
TERMS AND CONDITIONS OF WARRANTY, WARRANTY CLAIMS..... 8

Thank you for purchasing the product. Our paddleboards are made to the highest safety requirements. We believe that you will be satisfied with the purchased product. Read the manual before use to use the product as efficiently as possible. We wish you many years of enjoyment and good experience with our paddleboards.

SAFETY INSTRUCTIONS

Paddle sports can be dangerous and physically demanding. There is a risk of serious injury or death from drowning. The user of this product acknowledges, understands, and takes responsibility of the risk involved in paddle sports. Observe the following safety standards and safe operating practices whenever using this product.

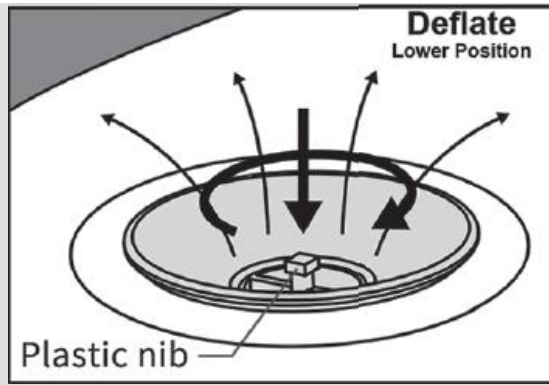
When using an Aquatone board, you are personally responsible to determine if you have the required skill level to handle the different water and wind conditions. You should use your best judgement as to when and where to use your board. All users of an Aquatone board agree to assume all responsibilities for any damage or injury, including death, which may result from using or handling a SUP.

- Check weather conditions and water levels before heading out.
- Always wear an approved personal floatation device (PFD) before you start paddling, read the manufacturer's documentation about your PFD and familiarize yourself with how to properly wear it. (Always wear safety leash).
- Do not go into water if you are under the influence of alcohol, drugs, or medication as it may affect your condition, judgement, or ability to safely and securely operate your SUP.
- Be aware of your limitation and do not exceed your paddling ability.
- Dress accordingly for weather conditions and if necessary, wear a wetsuit.
- Always familiarize yourself with local waters and hazard environments before use.
- Never let kids or teenagers use the paddleboard without adult supervision.
- Never tow the SUP.
- Never use SUP as personal transport floatation device.
- Never exceed SUP's maximum weight limit.
- Always check all equipment for signs of wear or damage before use.
- Always carry identification card.
- It is recommended to be accompanied with multiple persons in case of an emergency or accident.
- Always inform others about using the paddleboard, location, destination, and number of people. Always inform yourself and others about medical conditions.
- Always follow coast guard regulations, local laws and regulations.
- Maximum pressure: ≤ 15 PSI

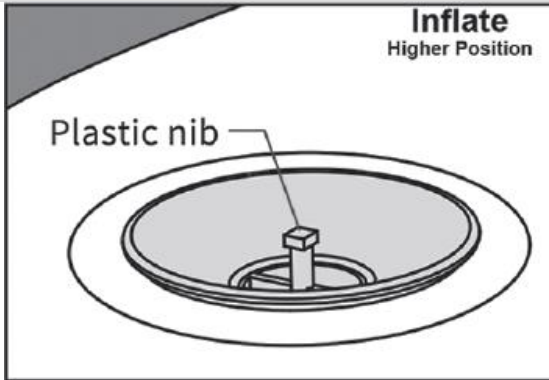
VALVE

1. The plastic nib must be in the up position to inflate.
2. The plastic nib must be in the lower position to deflate.
3. If the valve is loose, tighten it with a wrench to prevent air leakage.
4. In case of damage, you can replace the valve.

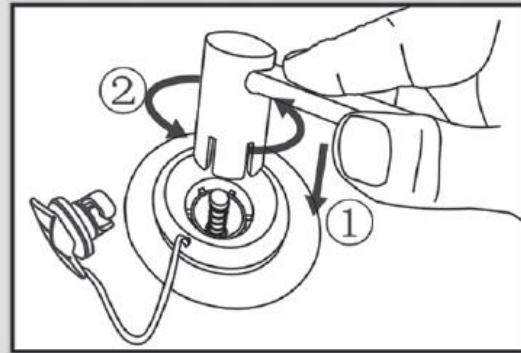
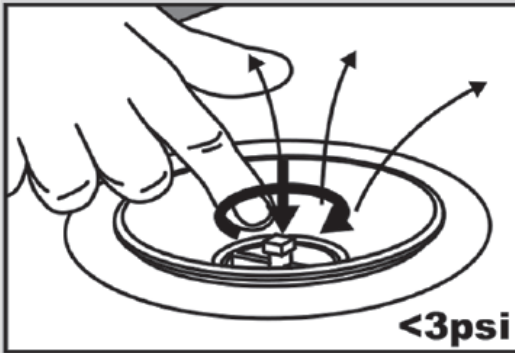
1.



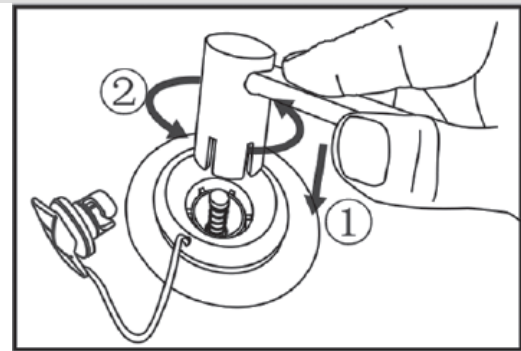
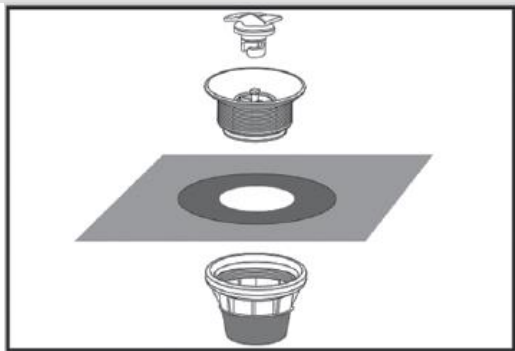
2.



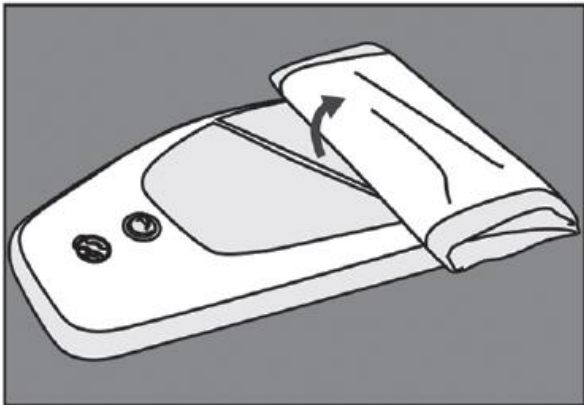
3.



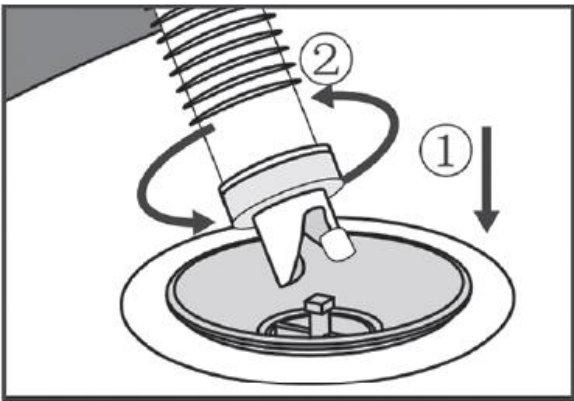
4.



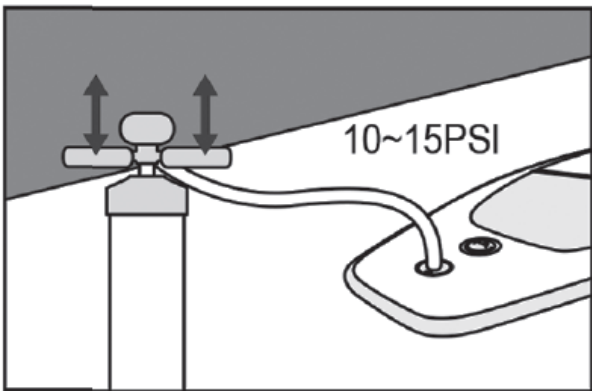
INFLATION AND ATTACHMENT OF THE FIN



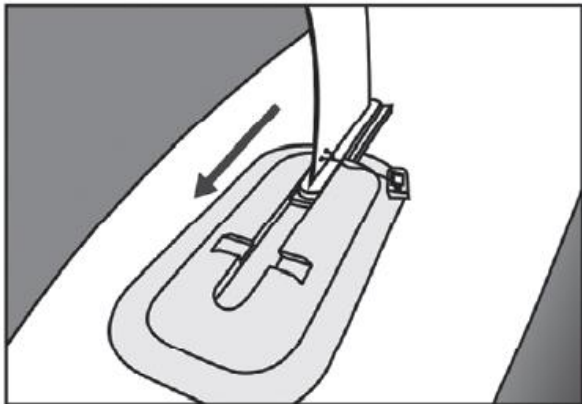
Unfold the paddleboard



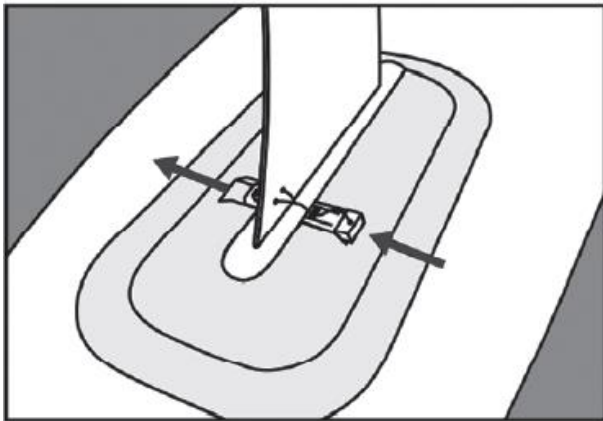
Attach the pump



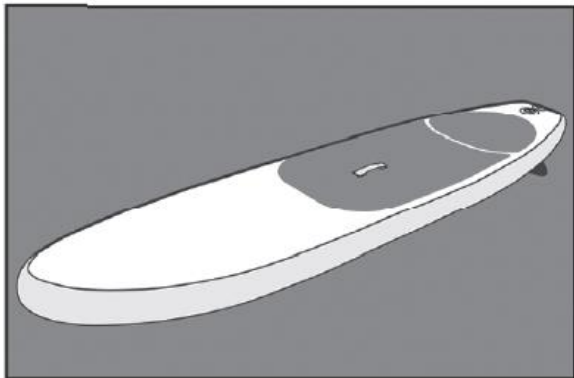
Inflate to 10 - 15 PSI



Slide in the fin

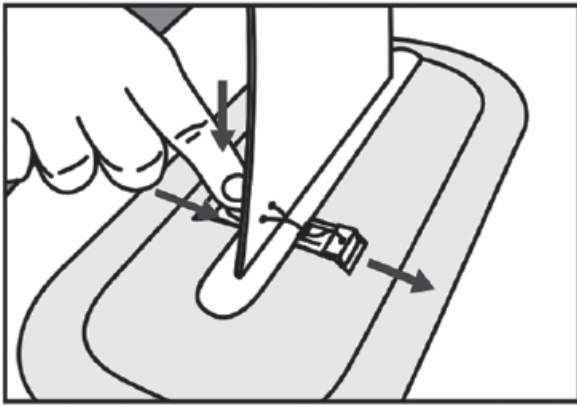


Secure the fin

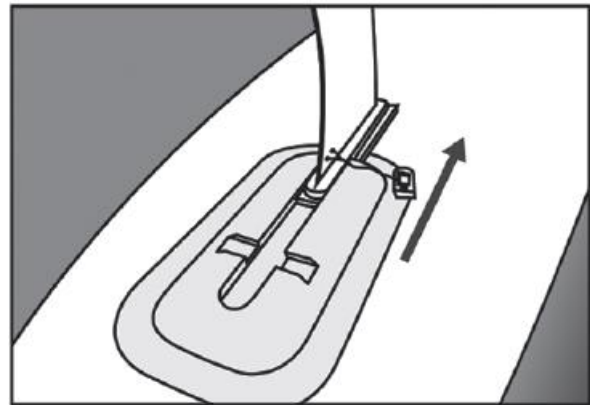


Done

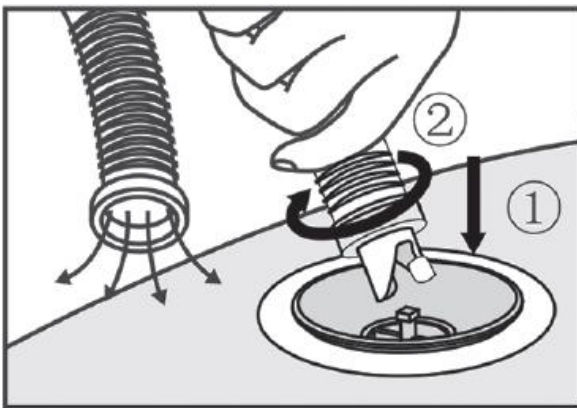
DEFLATING AND REMOVING THE FIN



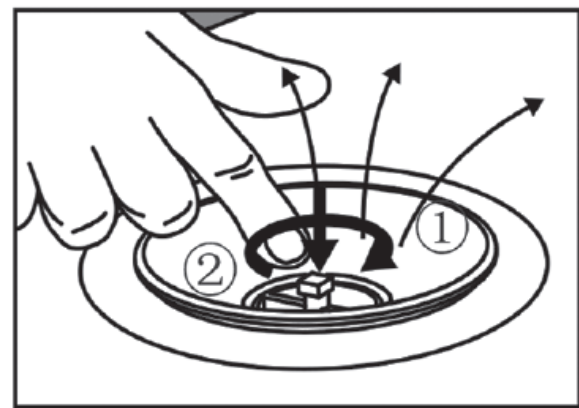
Unlock the fin



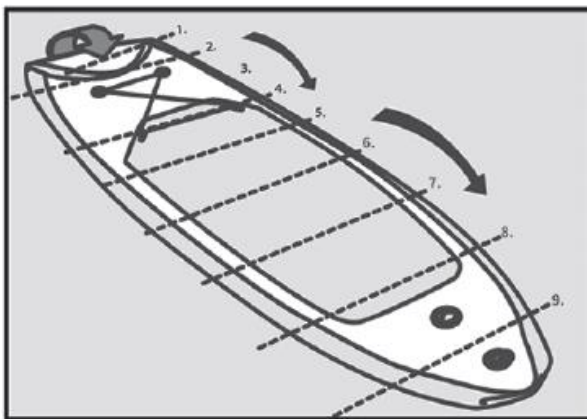
Slide out the fin



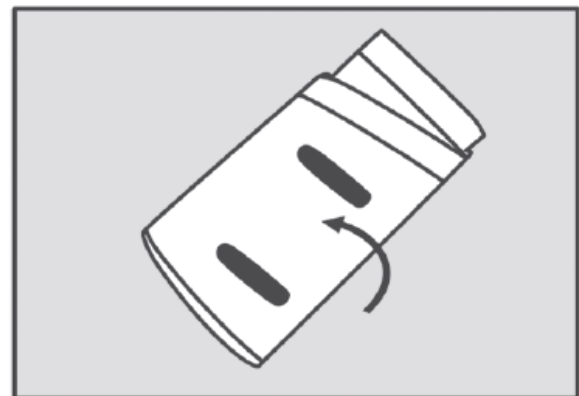
Attach the pump and deflate



Press to deflate



Fold the paddleboard



Done

GENERAL INFORMATION ON USE, MAINTENANCE AND STORAGE

Start paddling on your knees to gain confidence and stability on the paddleboard. Change the paddling side every 3-5 strokes.



To stand on the paddleboard, hold the paddle with both hands and lift up on the paddleboard with the paddle. Place the left and right foot in the center of the paddleboard at shoulder width apart.



To change direction, make long strokes with the paddle on one side. If you are an advanced user, you can place one foot closer to the back of the paddleboard for a faster change of direction.

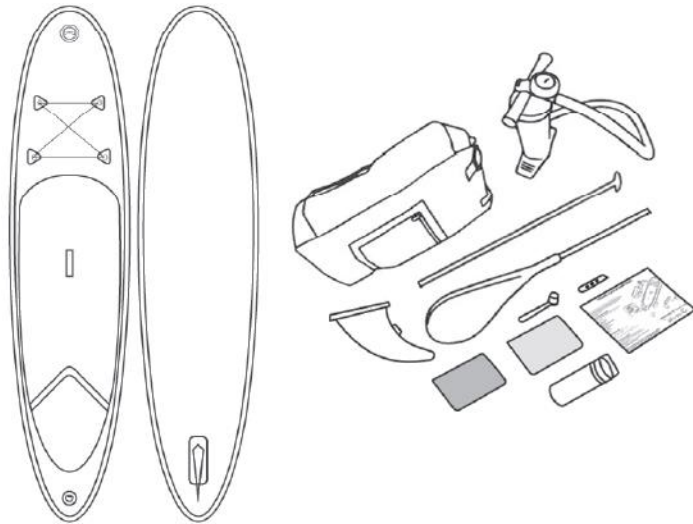
CARE AND MAINTENANCE

- Do not use aggressive cleaning agents, use clean water and soap for cleaning.
- You must dry the paddleboard properly before storing it.
- Check the paddleboard before and after use.
- Never pull the paddleboard over the surface, as this may damage and puncture the material.
- Before deflation, place the paddleboard on a surface free of sharp objects such as stones, etc.

STORAGE

- Store the paddleboard in a cool, clean, and dry place.
- Do not store the paddleboard in extreme temperatures above 50 ° C or below 0 ° C.
- Always store the paddleboard deflated.

PACKAGE CONTENTS



1. Paddleboard

2. Paddle

3. Fin

4. Single action pump

5. Repair set

6. Backpack

7. Manual

8. Safety strap

ENVIRONMENT PROTECTION

After the product lifespan expired or if the possible repairing is uneconomic, dispose it according to the local laws and environmentally friendly in the nearest scrapyard.

By proper disposal you will protect the environment and natural sources. Moreover, you can help protect human health. If you are not sure in correct disposing, ask local authorities to avoid law violation or sanctions.

Don't put the batteries among house waste but hand them in to the recycling place.

TERMS AND CONDITIONS OF WARRANTY, WARRANTY CLAIMS

General Conditions of Warranty and Definition of Terms

All Warranty Conditions stated here under determine Warranty Coverage and Warranty Claim Procedure. Conditions of Warranty and Warranty Claims are governed by Act No. 89/2012 Coll. Civil Code, and Act No. 634/1992 Coll., Consumer Protection, as amended, also in cases that are not specified by these Warranty rules.

The seller is SEVEN SPORT s.r.o. with its registered office in Strakonická street 1151/2c, Prague 150 00, Company Registration Number: 26847264, registered in the Trade Register at Regional Court in Prague, Section C, Insert No. 116888.

According to valid legal regulations it depends whether the Buyer is the End Customer or not.

“The Buyer who is the End Customer” or simply the “End Customer” is the legal entity that does not conclude and execute the Contract in order to run or promote his own trade or business activities.

“The Buyer who is not the End Customer” is a Businessman that buys Goods or uses services for the purpose of using the Goods or services for his own business activities. The Buyer conforms to the General Purchase Agreement and business conditions.

These Conditions of Warranty and Warranty Claims are an integral part of every Purchase Agreement made between the Seller and the Buyer. All Warranty Conditions are valid and binding, unless

otherwise specified in the Purchase Agreement, in the Amendment to this Contract or in another written agreement.

Warranty Conditions

Warranty Period

The Seller provides the Buyer a 24 months Warranty for Goods Quality, unless otherwise specified in the Certificate of Warranty, Invoice, Bill of Delivery or other documents related to the Goods. The legal warranty period provided to the Consumer is not affected.

By the Warranty for Goods Quality, the Seller guarantees that the delivered Goods shall be, for a certain period of time, suitable for regular or contracted use, and that the Goods shall maintain its regular or contracted features.

The Warranty does not cover defects resulting from (if applicable):

- User's fault, i.e. product damage caused by unqualified repair work, improper assembly, insufficient insertion of seat post into frame, insufficient tightening of pedals and cranks
- Improper maintenance
- Mechanical damages
- Regular use (e.g. wearing out of rubber and plastic parts, moving mechanisms, joints, wear of brake pads/blocks, chain, tires, cassette/multi wheel etc.)
- Unavoidable event, natural disaster
- Adjustments made by unqualified person
- Improper maintenance, improper placement, damages caused by low or high temperature, water, inappropriate pressure, shocks, intentional changes in design or construction etc.

Warranty Claim Procedure

The Buyer is obliged to check the Goods delivered by the Seller immediately after taking the responsibility for the Goods and its damages, i.e. immediately after its delivery. The Buyer must check the Goods so that he discovers all the defects that can be discovered by such check.

When making a Warranty Claim the Buyer is obliged, on request of the Seller, to prove the purchase and validity of the claim by the Invoice or Bill of Delivery that includes the product's serial number, or eventually by the documents without the serial number. If the Buyer does not prove the validity of the Warranty Claim by these documents, the Seller has the right to reject the Warranty Claim.

If the Buyer gives notice of a defect that is not covered by the Warranty (e.g. in the case that the Warranty Conditions were not fulfilled or in the case of reporting the defect by mistake etc.), the Seller is eligible to require a compensation for all the costs arising from the repair. The cost shall be calculated according to the valid price list of services and transport costs.

If the Seller finds out (by testing) that the product is not damaged, the Warranty Claim is not accepted. The Seller reserves the right to claim a compensation for costs arising from the false Warranty Claim.

In case the Buyer makes a claim about the Goods that is legally covered by the Warranty provided by the Seller, the Seller shall fix the reported defects by means of repair or by the exchange of the damaged part or product for a new one. Based on the agreement of the Buyer, the Seller has the right to exchange the defected Goods for a fully compatible Goods of the same or better technical characteristics. The Seller is entitled to choose the form of the Warranty Claim Procedures described in this paragraph.

The Seller shall settle the Warranty Claim within 30 days after the delivery of the defective Goods, unless a longer period has been agreed upon. The day when the repaired or exchanged Goods is handed over to the Buyer is considered to be the day of the Warranty Claim settlement. When the Seller is not able to settle the Warranty Claim within the agreed period due to the specific nature of the Goods defect, he and the Buyer shall make an agreement about an alternative solution. In case such agreement is not made, the Seller is obliged to provide the Buyer with a financial compensation in the form of a refund.

CZ
SEVEN SPORT s.r.o.

Registered Office: Strakonická 1151/2c, Praha 5, 150 00, ČR
Headquarters: Dělnická 957, Vítkov, 749 01
Warranty & Service: Čermenská 486, Vítkov 749 01

CRN: 26847264
VAT ID: CZ26847264
Phone: +420 556 300 970
E-mail: eshop@insportline.cz
reklamace@insportline.cz
servis@insportline.cz
Web: www.inSPORTline.cz

SK
inSPORTline s.r.o.

Headquarters, warranty & service center: Električná 6471,
Trenčín 911 01, SK

CRN: 36311723
VAT ID: SK2020177082
Phone: +421(0)326 526 701
E-mail: objednavky@insportline.sk
reklamacie@insportline.sk
servis@insportline.sk
Web: www.inSPORTline.sk

About shipping

