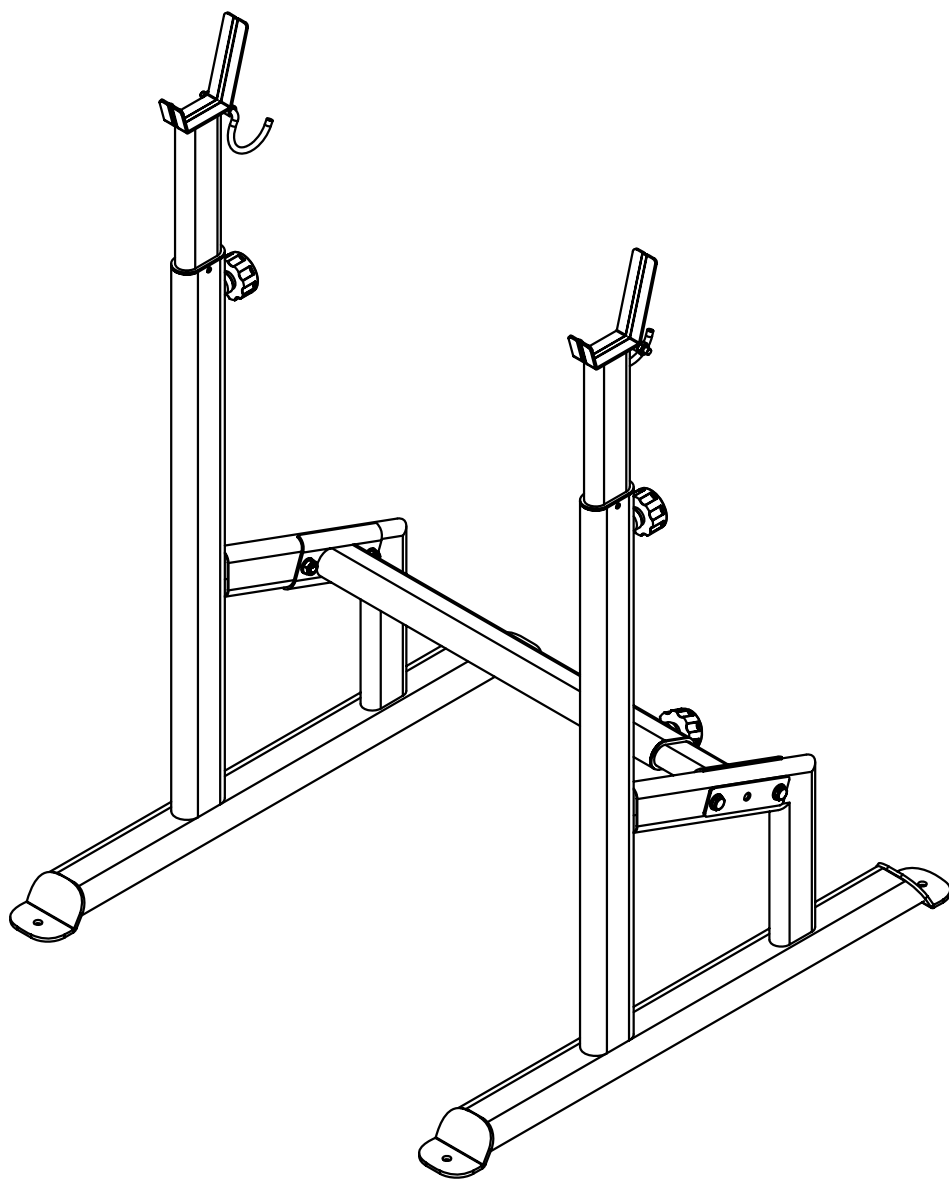
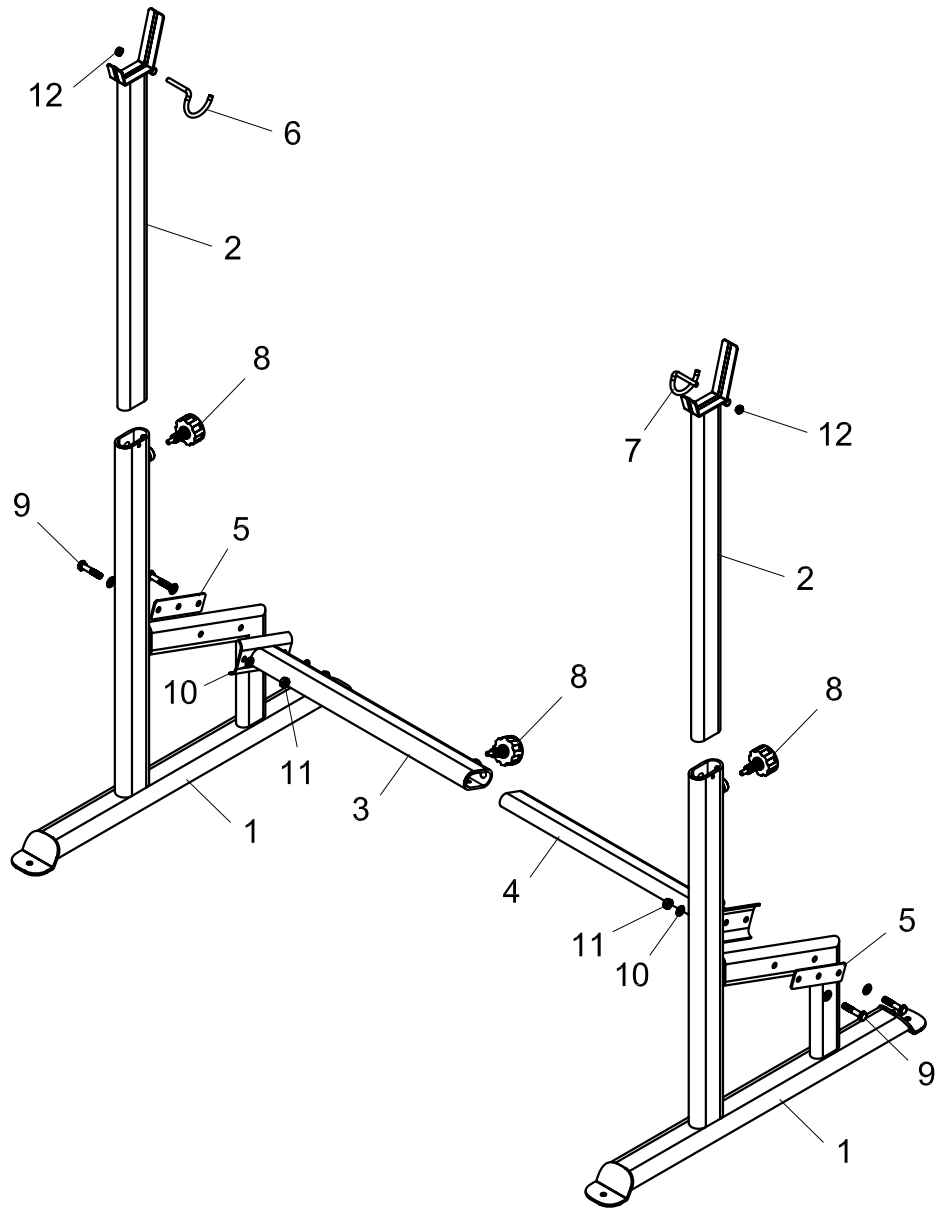


BARBELL RACK RK2459A





NUMBER	DESCRIPTION	QUANTITY	NUMBER	DESCRIPTION	QUANTITY
1	UPRIGHT SUPPORT	2	8	FAST PIN	3
2	BARBELL SUPPORT	2	9	BOLT M10*50	4
3	LEFT JOINT TUBE	1	10	WASHER 10	8
4	RIGHT JOINT TUBE	1	11	LOCK NUT M10	4
5	REINFORCEMENT PLATE	2	12	LOCK NUT M8	2
6	LEFT SAFETY HOOK	1			
7	RIGHT SAFETY HOOK	1			