

OWNER'S MANUAL

BEDIENUNGSANLEITUNG
NÁVOD K POUŽITÍ
INSTRUKCJA OBSŁUGI
NÁVOD NA POUŽITIE
HASZNÁLATI ÚTMUTATÓ



KELLYS
BIKE COMPANY

**RIDE
YOUR
LIFE**



Dear customer,
thank you for purchasing the pedal-free bike KELLYS KIRU RACE.
This product was checked, tested, and subsequently approved in accordance with the provisions of the EN-71 standard. These tests are being implemented to guarantee high quality and safety during the period of your use.

Maximum load capacity of the pedal-free bike is 50 kg.

Warning! Not suitable for children under 3 years due to the product size.

The pedal-free bike is not intended for the use on the road system.



Manufacturer: KELLYS BICYCLES s.r.o., Veľké Orvište, Slnečná Cesta 374, 922 01, Slovakia

To secure your satisfaction with the product and its safe use, please read these instructions for use. They help you to understand and operate the product.
These instructions for use are a part of the product. Please store them for further possible use.
Eventual checks and repairs of your pedal-free bike are provided by the seller of your product.

Description of the pedal-free bike KELLYS KIRU RACE with brake

The stylish children's pedal-free bike KIRU is an ideal instrument for the development of motor skills and coordination. As a result, children manage to ride a two-wheel bike in a shorter time. A ride on the pedal-free bike provides outdoor entertainment. When riding the pedal-free bike, children learn to maintain balance which is so required to manage a two-wheel bike riding. The pedal-free bike KIRU features a light-weight aluminium alloy frame, adjustable seat allowing the pedal-free bike to be adjusted to the children's height. 12" wheels and pneumatic balloon tyres absorb shocks which results in a more comfortable ride. Antiskid tyre pattern makes the bike suitable for any terrain type. The pedal-free bike KELLYS KIRU RACE fulfils strict safety regulations and complies with the European standard EN-71.

KELLYS KIRU RACE:

light-weight magnesium frame
frame integrated pedals

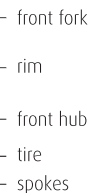
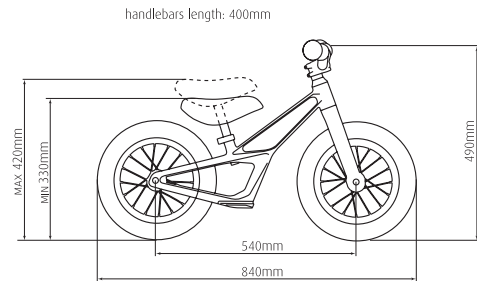
brake system: V-BRAKE
height adjustable seat from 330 mm to 420 mm
handlebars – length 400 mm, diameter 22.2 mm
12" pneumatic wheels with denser tyre pattern
steel wheel bearings, steel wheel hub
aluminium rims, steel spokes
head construction with steel bearings
weight 4,1 kg

▲ IMPORTANT NOTICE

- The product is intended for children. Therefore, its use must be always supervised by adults.
- Prior to use, check the pedal-free bike for its complete assembly.
- Prior to use, read the instructions for use thoroughly. Avoiding reading the instructions may result in harm and injury to child's health.
- Warning! Not suitable for children under 3 years due to the product size.
- Assembly and adjustment must be implemented by adult or the seller.
- Maximum load capacity of the product is 50 kg.
- Assembly accessories are not available.
- Make sure your child is acquainted with safety regulations and warnings related to the ride on the pedal-free bike which are object of these instructions for use.
- Before any ride, check every part of the bike for its functionality and whether it is tightened.
- Do not exceed the air pressure in tyres above the maximum pressure value shown on the tyre side-wall.
- Recommended air pressure is shown on tyre side-wall.
- While riding use special protectors such as helmet, knee and elbow pads, and solid shoes. The application of protectors may decrease the probability of injury occurrence but cannot protect against any injury.
- If any part of the bike is damaged, it must be repaired or replaced before any further use.
- Avoid hitting sharp edges, duct covers, and sudden changes of the surface.
- Avoid the streets and areas with water, sand, gravel, dirt, leaves and other debris. Rainy weather, dark and poor visibility may hamper the ride. Never ride in darkness.
- Do not ride downhill.
- The pedal-free bike is not intended for the use on the road system.

With respect to conditions of the environment, the pedal-free bike can be dangerous when in use. These instructions for use contain a set of hints, safety recommendations and operation, and

KELLYS KIRU RACE PARTS





maintenance manual. Please read them carefully to decrease the risk of injury. Such risk can never be entirely eliminated. The manufacturer is not responsible for eventual children's injuries resulting from the ride on the pedal-free bike and its use.

It is recommended for all users of the pedal-free bike to wear their own respective protective equipment for the sake of their safety. Even the most sophisticated protective equipment cannot prevent injury in some situations. Observing the following rules may decrease this risk to an acceptable level.

- Before each ride, check whether all screw joints are tightened. If necessary tighten them.
- Those beginners as well as advanced riders, who did not use the bike for a longer time, should rehearse at the suitable places.
- Road rules and regulations must be observed.
- When riding you must still keep watch and be careful.
- Avoid riding on wet or otherwise slipping surfaces.
- Be careful when riding on sloping areas, the ride can be dangerous. Do not use it for a downhill ride.

ADJUSTING THE POSITION OF SADDLE AND HANDLEBARS

All functional parts of the pedal-free bike are preadjusted by the manufacturer and checked by your seller. Therefore, you may use the pedal-free bike immediately after the purchase. Prior to use of the pedal-free bike, adjust only the position of saddle and handlebars. Adjust the saddle so that it provides maximum comfort while maintaining safe control and stability.

If you do not have appropriate nut wrenches or you need assistance with the assembly, we recommend to contact the nearest certificated seller of KELLYS bikes.

SADDLE ADJUSTMENT

The saddle should be positioned to such height in which a child is able to stand on the ground with a whole sole of its feet with moderately bent knees. Handlebars should be so adjusted that upper limbs are approximately in horizontal position when gripping the handlebars. Check whether this position is comfortable for the child.

Regularly adjust the pedal-free bike according to the actual height of the child.

Should the saddle be adjusted too high, leg and back muscles are excessively loaded.

A low adjusted saddle results in excessive load of knees and femoral muscles.

Loosen the nut, adjust the saddle height and tighten the nut. Check the nut tightening.

▲ IMPORTANT NOTICE

There is a mark on the seat post indicating the minimum insertion of the seat post into the frame.

This mark of the minimum insertion of the seat post into the frame shall not be visible. Never tighten the seat post above this mark! The nut mechanism of the seat post shall be so tightened that it prevents the seat post from rotating in the frame.

RECOMMENDED TIGHTENING TORQUE VALUES

Screws and nuts should be tightened by using a torque wrench. This procedure prevents excessive tightening and damage to the coils.

M6 inbus screw for the seat post lock 20 - 35 Nm*

M6 inbus screw for the stem lock 20 - 25 Nm*

M15 hexagonal screw - tightening of front wheel in the wheel fork 20 - 25 Nm*

M15 hexagonal screw - tightening of rear wheel in the rear wheel fork 25 - 30 Nm*

* Unless otherwise specified, adhere to the recommended values.

MAINTENANCE AND CARE

By its use, the pedal-free bike is adequately getting worn out. Therefore, regular maintenance and care are required. Various materials and parts can respond to the wear and stress in different ways. If the service life of some part is exceeded, this part can suddenly break down and cause injury to the rider. Occurrence of any cracks, grooves or colour changes of highly stressed parts indicates the end of service life of that part. Such part shall be replaced.

A parent or adult who watches the child, is responsible for a regular check of all parts and screws tightening. If you cannot handle the maintenance by yourself, contact a specialized bicycle repair shop. For the exchange of individual parts please contact your seller. After the possible crash, check the pedal-free bike for any damage.

Do not use the pedal-free bike in the case when the frame is cracked or visually deformed. Any change in the original parts, material or construction of the pedal-free bike may significantly

decrease its functionality. The same applies for the case of heavy dirt or damage. All mechanical parts of the bike are subject to wear and are exposed to a significant stress.

RIMS

Prior to the ride, check whether the wheels of the pedal-free bike are correctly centred and the rims are not damaged.

Grooves and cracks can occur on the rim as a result of the use. Riding with a damaged rim is dangerous – replace the damaged rim!

TYRES

Be sure that the tyres are neither underinflated or overinflated. Meet the values of recommended tyre pressure which are shown on the side-walls of any tyre. Conversion of pressure units shown on tyres: 100kPa = 14.22 P.S.I. = 1 bar = 1 at

BRAKE SYSTEM

Brake system consists of brake levers, cables, front calliper, brake shoes, and is one of the most important components of balance bike. Right brake lever operates rear brake. Brake is set by manufacturer. For your own safety do not make any brake system adjustments until it is really necessary! Check periodically the wear of friction surfaces, brake pads and keep rims clean. Untuned brake system has to be adjusted again or ask a special bike service for help.

BRAKE CABLES

Brake system of balance bike will be effective only when brake cables are correctly stretched. Brake cables can be set by adjusting screws on brake levers. Lubricate brake cables and outer casings with oil which provides cables running smoothly. End cup should be placed on cable end to prevent its ply apart and damage. Damaged or worn out cable must be replaced by new one.

BRAKE ADJUSTMENT

Brake shoes should be 1 mm from the rim in V-type brakes.

▲ WARNING

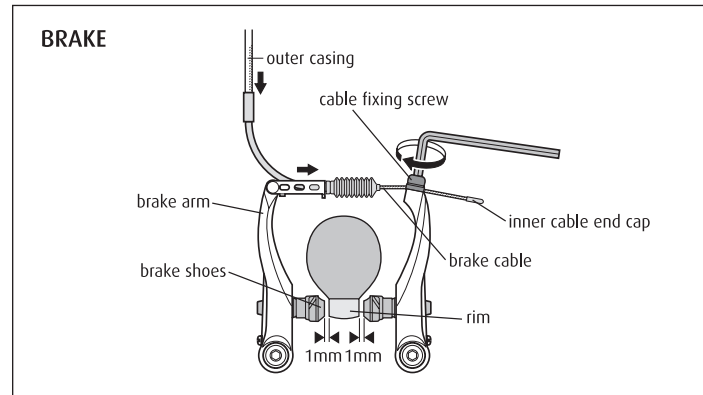
Brake shoes may not touch the tire - otherwise this could cause an over-heating of the tire! Check the wear, and if it is necessary, change them. Replace worn out brake shoes with new one original brake shoes matching your brake type. Brakes should be adjusted according to kid's age and style of riding.

1. Release the safety nut of the adjustment screw on the brake lever. If it is necessary to bring the pads closer to the rim, turn the adjustment screw counter clockwise out from the thread. Secure the safety nut.
2. If the cable is too loose, turn the adjustment screw on the brake lever clockwise - into the thread.

Now release the screw that secures the cable on the brake arm. Stretch the cable, so that brake pads are aligned with the rim. Firmly tighten the screw and check the brakes.

▲ IMPORTANT WARNING

Pay attention when braking on wet surface - braking distance of balance bike is longer! Prior to each ride check, if the braking system of your balance bike is in a perfect condition.



FRAME AND FRONT WHEEL FORK

Make regular checks of frame and wheel fork for any damage. Damages to the frame or wheel fork (bending or cracks in tubes and weld joints) mainly occur as a result of crashes. Do not keep using damaged frame or wheel fork, you may get seriously injured.

INTEGRATED PLATFORM FOR FEET

The product KELLYS KIRU RACE provides mobility to the child. It is equipped with the integrated foot platform. With protruded legs, the child cannot brake. As a result, the balance may be lost and the child can be ejected, injured or can injure others. In adverse case, the risk of injury results from the



crash into the platform or from locking the cloth parts in the platform.

CLEANING OF PEDAL-FREE BIKE

For the cleaning of the pedal-free bike we recommend to use a biologically degradable cleaning agent KELLYS BIKE CLEANER in the combination with warm water and soft towel. Prior to cleaning, remove heavy dirt. After cleaning let the pedal-free bike dry or wipe it with soft and clean towel. Make sure that no liquid penetrated into bearings and wheels. Do not use diluents or similar agents. Do not use hair dryer or other heating equipment to advance drying. Otherwise, you can damage the pedal-free bike.

INSTRUCTIONS FOR THE RIDE

1. Do not use the pedal-free bike on the road system!
2. Always wear a helmet.
3. Do not ride in the proximity to motor vehicles.
4. Rehearse braking on a safe place.
5. Never ride close to steps, steep slopes, hills, paths, streets, pools, and other water reservoirs.
6. The pedal-free bike can be used just by one person at a time.
7. Never use the pedal-free in rainy weather.
8. Do not attach carts, other vehicles, kids with rollers or skateboards to the bike.
9. Do not use the pedal-free bike at night.
10. Always wear solid shoes and protective equipment when riding.
11. Be sure to take right of way to pedestrians. Do not ride close to pedestrians. Avoid the risk of losing control over your pedal-free bike.
12. Holes, ruts, leaves, gravel, puddles and garbage may result in losing control.
13. Do not ride on the road and bumpy surface.
14. Always hold handlebars with both hands.
15. Do not wear anything which would prevent your hearing.

RIDING A PEDAL-FREE BIKE

1. Adjusting the size of the pedal-free bike:

The saddle should be positioned to such height in which a child is able to stand on the ground with a whole sole of its feet with moderately bent knees. Handlebars should be so adjusted that upper limbs are approximately in horizontal position when gripping the handlebars. Check whether this position is comfortable for the child.

Regularly adjust the pedal-free bike according to the actual height of the child.

2. Getting started:

If the child is able to lift the pedal-free bike of the ground, it is also capable of riding it. It is not necessary to provide a complex explanation of the bike use to the child, let the child ride it. You should only watch its activity with the pedal-free bike. Children have a good ability to learn which can be further developed by letting them control the pedal-free bike just by themselves. Usually, they will soon find a way, how to move and ride the pedal-free bike. When riding the bike, please make sure that the child is in the bike seat and not sitting on the top tube.

3. Push-off:

The child should push off the ground in a forward direction by alternating left and right foot. As a result, it gains higher speed. The ride will be easier for it, if it is pushing off the ground by toe tips and landing on its heels.

4. Balancing:

The child should balance a ride on the pedal-free bike mainly by its back and buttock. As soon as this ability is mastered, the child is also able to control other transport vehicles for children. Riding on the pedal-free bike supports balancing, physical and intellectual development, strengthens muscles of back, improves the overall coordination and locomotive abilities.

5. In case the child needs help:

Let the child sit on the pedal-free bike and grip the handlebars. Catch the frame top tube and move the pedal-free bike to the left and to the right. The child will adapt to this new kind of movement and balance its sitting.

WARRANTY TERMS AND CONDITIONS

The seller shall provide a 24 months warranty period to the customer for the pedal-free bike KELLYS KIRU RACE from the date of purchase.

CONDITIONS OF THE WARRANTY

The warranty period shall be extended by a period in which repair works under warranty are implemented. In the course of the warranty period, any defects due to the material defects, faulty work and assembly will be repaired free of charge.

THE WARRANTY DOES NOT APPLY TO DEFECTS CAUSED BY:

- he user, such as damage to the product as a result of unprofessional assembly, rework, (e.g. insufficient insertion of seat post into frame and of the stem into wheel fork, weak tightening, improper use and neglected care for the pedal-free bike (improper storage), damage resulting from the crash, unprofessional repair, improper maintenance of the pedal-free bike, damage caused by



the exchange of the components for those being incompatible with the current equipment of the pedal-free bike, technical modification of the bike frame;

- common wear of rubber and plastic parts of the pedal-free bike (e.g. tyres, rims, saddle, handlebars);
- mechanical damage - wear resulting from the common use of the pedal-free bike (e.g. defects in varnish surface layer).

The seller's responsibility is to check all parts of the pedal-free bike for their functionality. The manufacturer will not accept responsibility for any injuries, damage or failure resulting from the faulty assembly or improper maintenance after the product is dispatched, i.e. by insufficient pre-sale servicing at the seller.

⚠ NOTICE

The warranty certificate is a part of the product equipment of the respective type. Therefore, you should, in your own interest, keep the certificate in a safe place.



Sehr geehrter Kunde,
herzlichen Glückwunsch zum Kauf dieses KELLYS KIRU RACE Laufrads.
Dieses Produkt wurde in Übereinstimmung mit den Bestimmungen der EN-71 geprüft, getestet und zugelassen. Diese Tests werden durchgeführt, um die Qualität und Sicherheit des Produkts während des Benutzens zu gewährleisten.

Die zulässige Gesamtbelastung beträgt max. 50 kg.

Hinweis! Aufgrund der Größe nicht für Kinder unter 3 Jahren geeignet.

Das Laufrad ist nicht für den Einsatz im Straßenverkehr bestimmt.



Hersteller: KELLYS BICYCLES s.r.o., Veľké Orvište, Slnecná Cesta 374, 922 01, Slowakei

Damit Sie viel Freude an Ihrem Laufrad haben und es sicher benutzen können, lesen Sie bitte aufmerksam diese Gebrauchsanleitung. Sie hilft Ihnen, Ihr Laufrad kennen zu lernen.
Diese Gebrauchsanleitung ist ein Bestandteil des Produkts, bewahren Sie sie deshalb für einen späteren Gebrauch auf.

Ihr Händler, bei welchem Sie dieses Laufrad erworben haben, sorgt für eventuelle Inspektionen und Reparaturen Ihres Laufrads.

BESCHREIBUNG DES KELLYS KIRU RACE LAUFRADS

Das stilvolle KIRU Kinderlaufrad ist ein ideales Werkzeug zur Förderung der motorischen Geschicklichkeit und Koordination, so kann Ihr Kind das Fahren auf zwei Rädern schneller erlernen. Das Fahren mit dem Laufrad bringt Spaß und Bewegung auf frischer Luft. Durch das Fahren auf dem Laufrad lernt Ihr Kind das Gleichgewicht zu halten, das erforderlich ist, um das Fahren auf einem richtigen Fahrrad zu bewältigen. Das KIRU Laufrad hat einen leichten und festen Rahmen aus Aluminiumlegierung sowie einen höhenverstellbaren Sattel, durch den das Laufrad an die Körpergröße Ihres Kindes angepasst werden kann. Die 12"-Räder sowie aufblasbare Ballonreifen dämpfen Stöße ab und machen die Fahrt noch komfortabler; das rutschfeste Laufflächenprofil ermöglicht, jedes Gelände sicher zu bewältigen. Das KELLYS KIRU RACE Laufrad erfüllt die strengsten Sicherheitskriterien und ist nach der europäischen Norm EN-71 zertifiziert.

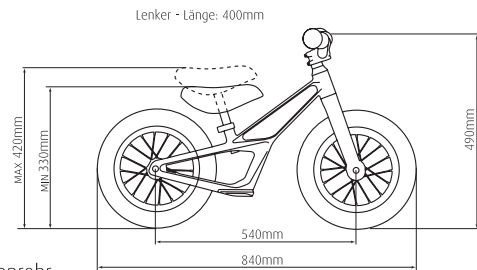
KELLYS KIRU RACE:

Leichter Magnesium-Rahmen
Integrierte Tritte am Rahmen
Bremsystem: V-BRAKE
Höhenverstellbarer Sattel mit einem Verstellbereich von 330 mm bis 420 mm
Lenker - Länge 400 mm, Durchmesser 22,2 mm
Aufblasbare 12-Zoll-Räder mit dichterem Reifenprofil
Radlager aus Stahl, Nabe aus Stahl
Felgen aus Aluminium, Spitzen aus Stahl
Steuersatz mit Stahllagern
Gewicht 4,1 kg

▲ WICHTIGER HINWEIS

- Das Produkt ist für Kinder bestimmt und darf deshalb nur unter Aufsicht einer erwachsenen Person verwendet werden.
- Vergewissern Sie sich vor dem Gebrauch, ob das Laufrad komplett zusammengebaut ist.
- Vor dem Gebrauch sorgfältig die Gebrauchsanleitung lesen. Wenn Sie dies unterlassen, kann das Laufrad beschädigt und Ihr Kind verletzt werden.
- Hinweis! Aufgrund der Größe nicht für Kinder unter 3 Jahren geeignet.
- Die Montage und Einstellung muss eine erwachsene Person oder Ihr Fachhändler vornehmen.
- Die zulässige Gesamtbelastung beträgt max. 50 kg.
- Das Montagewerkzeug liegt nicht bei.
- Machen Sie Ihr Kind mit den in der Gebrauchsanleitung enthaltenen Sicherheitsanweisungen und -hinweisen für das Fahren mit dem Laufrad vertraut.
- Vor jeder Fahrt prüfen, ob alle Teile funktionsfähig und ausreichend fest angezogen sind.
- Pumpen Sie den Schlauch nicht stärker auf, als der auf der Reifenflanke aufgedruckte maximale Befüllungsdruck.
- Der empfohlene Reifenluftdruck steht auf der Reifenflanke.
- Bei der Fahrt spezielle Schützer benutzen. Schutzhelm, Knie- und Ellenbogenschützer sowie festes Schuhwerk. Das Verwenden von Schützern kann das Unfallrisiko vermindern, jedoch nicht vor allen Unfällen schützen.
- Sollte ein Bauteil beschädigt sein, so müssen Sie es vor der Weiterverwendung reparieren oder ersetzen.
- Scharfe Stöße, Gullydeckel und schlagartigen Oberflächenwechsel vermeiden.
- Vermeiden Sie Straßen und Flächen, auf welchen sich Wasser, Sand, Kies, Schmutz, Laub oder andere Verunreinigungen befinden. Regnerisches Wetter, Dunkelheit und verschlechterte Sicht behindern die Fahrt. Nie bei Dunkelheit fahren.

KELLYS KIRU RACE - KOMPONENTEN



- Gabel
- Felge
- Vorderradnabe
- Reifen
- Speichen



- Nicht bergab fahren.
- Das Laufrad ist nicht für den Einsatz im Straßenverkehr bestimmt.

Bei der Benutzung können vom Laufrad in Anbetracht der Umgebungsbedingungen Gefahren ausgehen. Dieses Handbuch enthält Hinweise, Sicherheitsempfehlungen sowie eine Gebrauchs- und Pflegeanleitung für dieses Produkt. Lesen Sie es aufmerksam durch, um die Verletzungsgefahr zu minimieren. Dieses Risiko kann nie vollständig ausgeschlossen werden. Der Hersteller übernimmt keine Haftung für eventuelle Verletzungen des Kindes, die auf das Fahren mit dem Laufrad oder auf den Gebrauch des Laufrads zurückzuführen sind.

Wir empfehlen, dass alle Benutzer des Laufrads im Interesse der Sicherheit entsprechende eigene Schutzausrüstung tragen. Auch durch die beste Schutzausrüstung können Verletzungen in einigen Situationen nicht vermieden werden. Folgende Regeln helfen Ihnen, dieses Risiko unter Kontrolle zu halten.

- Prüfen Sie vor jeder Fahrt, ob alle Schraubverbindungen fest angezogen sind. Bei Bedarf Schrauben nachziehen.
- Anfänger sowie Fortgeschrittene, die länger nicht gefahren sind, sollten ihr Können auf dafür bestimmten Orten auffrischen.
- Die Regeln der Straßenverkehrsordnung sind einzuhalten.
- Seien sie beim Fahren stets aufmerksam und vorsichtig.
- Das Fahren auf nassen oder anders rutschig gewordenen Oberflächen vermeiden.
- Vorsicht beim Fahren auf abschüssigen Strecken – es ist gefährlich. Das Laufrad nicht für Bergabfahrten benutzen.

SATTEL- UND LENKERPOSITION EINSTELLEN

Alle Funktionsteile des Laufrads wurden ab Werk eingestellt und von Ihrem Fachhändler geprüft, sodass Sie Ihr Laufrad sofort nach dem Kauf benutzen können. Vor dem Benutzen des Laufrads müssen Sie nur die Position des Sattels und des Lenkers einstellen. Den Sattel so einstellen, dass er maximalen Komfort bietet und zugleich eine sichere Lenkung und Stabilität gewährleistet. Wenn Sie keine passenden Schlüssel für die Montage haben oder Hilfe bei der Montage benötigen, so wenden Sie sich bitte an den nächsten KELLYS Bikes Fachhändler.

SATTEL EINSTELLEN

Der Sattel sollte in einer solchen Höhe eingestellt sein, dass Ihr Kind bei leicht angewinkelten Knien mit voller Fußfläche am Boden stehen kann. Der Lenker sollte sich in einer solchen Position befinden, dass die Arme beim Festhalten des Lenkers ungefähr in waagerechter Position sind. Prüfen Sie, ob diese Position Ihrem Kind zusagt.

Stellen Sie das Laufrad regelmäßig entsprechend der aktuellen Körpergröße des Kindes ein. Sollte der Sitz zu hoch eingestellt sein, werden die Bein- und Rückenmuskeln übermäßig belastet. Ein zu tief eingestellter Sitz bewirkt eine Überbelastung der Knien und der Oberschenkelmuskulatur. Schraube lösen, die gewünschte Sattelhöhe einstellen und Schraube wieder anziehen. Schraube auf festen Sitz prüfen.

▲ WICHTIGER HINWEIS

Auf dem Sattelrohr ist ein Markierungsstrich angebracht, der die minimale Einschubtiefe des Sattelrohrs im Rahmen kennzeichnet. Dieser Markierungsstrich darf nicht sichtbar sein. Das Sattelrohr nie über dieser Markierung befestigen! Das Schraubmechanismus des Sattelrohrs muss so angezogen sein, dass sich das Sattelrohr im Rahmen nicht drehen lässt.

Innensechskantschraube M6 für das Sattelrohrschloss 20 - 35 Nm*

Innensechskantschraube M6 für das Vorbauschloss 20 - 25 Nm*

Sechskantschraube M15 zum Festziehen des Vorderrads in der Gabel 20 - 25 Nm*

Sechskantschraube M15 zum Festziehen des Hinterrads in der hinteren Gabel 25 - 30 Nm*

* Halten Sie diese empfohlenen Werte ein, sofern auf dem Produkt nichts Abweichendes steht.

WARTUNG UND PFLEGE

Durch das Benutzen unterliegt das Laufrad einer natürlichen Abnutzung. Deshalb bedarf es einer regelmäßigen Wartung und Pflege. Verschiedene Werkstoffe und Teile können auf den Verschleiß

oder die Ermüdung durch Beanspruchung verschiedenartig reagieren. Wird die vorgesehene Standzeit eines Bauteils überschritten, kann dieses Bauteil versagen und eine Verletzung des Fahrers verursachen. Jedwede Form von Rissen, Riefen oder Farbänderungen an stark beanspruchten Bauteilen zeigt an, dass die Standzeit des Bauteils erreicht wurde und dieses gewechselt werden muss.

Der Benutzer – das Elternteil, welches das Kind beaufsichtigt, ist für eine regelmäßige Kontrolle aller Bauteile sowie des festen Sitzes aller Schrauben verantwortlich. Wenn Sie mit der Wartung überfordert sind, überlassen Sie sie einer Fahrradfachwerkstatt. Für den Austausch einzelner Bauteile kontaktieren Sie bitte Ihren Fachhändler. Nach einem Sturz das Laufrad auf eventuelle Schäden untersuchen.

Bitte benutzen Sie das Laufrad nicht, wenn der Rahmen gebrochen oder sichtbar verformt wurde. Jede Änderung der ursprünglichen Bauteile, Werkstoffe oder Konstruktion des Laufrads kann seine Funktion erheblich beeinträchtigen. Gleiches gilt im Falle einer schweren Verschmutzung oder Beschädigung. Alle mechanischen Teile des Laufrads unterliegen einem Verschleiß und sind einer starken Belastung ausgesetzt.

FELGEN

Vor der Fahrt prüfen, ob die Räder des Laufrads korrekt zentriert und die Felgen nicht beschädigt sind. Durch die Benutzung bzw. Stöße können an der Felge Riefen und Risse entstehen. Das Fahren auf einer beschädigten Felge ist gefährlich – beschädigte Felgen wechseln!

REIFEN

Achten Sie darauf, dass Ihr Kind nicht auf unter- bzw. überbefüllten Reifen fährt. Halten Sie die empfohlenen Reifenluftdrücke ein, die an den Flanken eines jeden Reifens aufgedruckt sind. Umrechnung der auf dem Reifen aufgeführten Druckeinheiten: 100 kPa = 14,22 P.S.I. = 1 bar = 1 at
Rahmen und Gabel des Laufrads regelmäßig auf Beschädigung prüfen. Zu einer Beschädigung des Rahmens oder der Gabel (Verbiegung oder Bruch der Rohre oder Schweißnähte) kann es vor allem bei Stürzen kommen. Benutzen Sie einen derartig beschädigten Rahmen oder eine Gabel nicht weiter, Sie riskieren sonst einen schweren Unfall!

BREMSSYSTEM

Das Bremssystem, welches aus dem Bremshebel, dem Brems- bzw. Bowdenzug, Hinterradbremssarmen sowie den Bremschuhen besteht, ist eines der wichtigsten Systeme Ihres Fahrrades. Der Bremshebel bedient die Hinterbremse. Die Bremse ist vom Hersteller voreingestellt und wird durch einen Fachhandelspartner eingestellt, deshalb sollten Sie, soweit dies nicht erforderlich

ist, aus Gründen Ihrer eigenen Sicherheit nicht in das Bremssystem eingreifen! Kontrollieren Sie regelmäßig die Abnutzung der Reibflächen, die Bremsgummis und die Felgen sollten sauber gehalten werden. Bei einer Verstellung des Bremssystems ist dieses erneut einzustellen, eventuell wenden Sie sich an Ihren Fachhändler.

BREMZZUG

Der Bremszug muß korrekt gespannt sein, nur so hat das Bremssystem Ihres Fahrrades die richtige Wirkung. Der Bremszug wird durch die Einstellschraube auf der Bremshebeleinheit eingestellt. Um eine einwandfreie Funktion zu gewährleisten, muss das Bremsseil regelmäßig eingölt werden, wir empfehlen Öl mit Teflonzusatz. An Ende des Zuges ist eine Endkappe zu verwenden, Sie beugen so einem Aufspießen des Bremszuges und somit einer Beschädigung vor. Falls ein Bremszug beschädigt oder abgenutzt ist, wechseln Sie ihn bitte umgehend aus.

BREMSENEINSTELLUNG

Die Bremschuhe sollten sich bei Bremsen vom Typ V-Brake in einem Abstand von 1 mm von der Felge befinden.

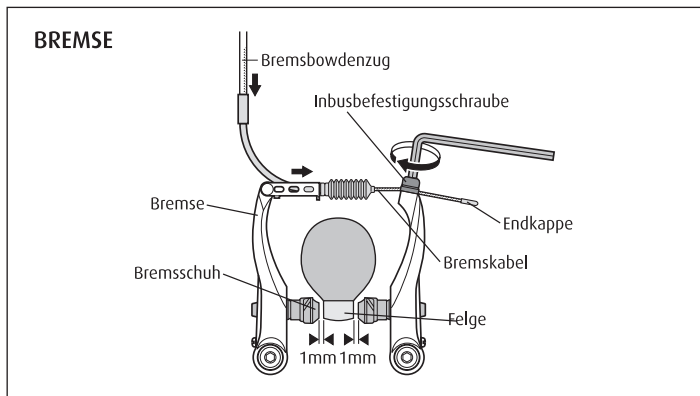
⚠️ WARNUNG!

Die Bremschuhe dürfen nicht die Reifen berühren, anderenfalls kann es zu einer Überhitzung des Reifens kommen! Kontrollieren Sie deren Abnutzung und falls es notwendig ist, wechseln Sie diese aus. Bei Erneuerung der Bremsgummis nur passende original Bremsgummi verwenden. Die Bremsen müssen entsprechend dem Kindesalter und der Fahrweise des Kindes eingestellt werden.

1. Lösen Sie die Sicherungsmutter der Einstellschraube am Bremshebel. Falls es notwendig ist, die Bremschuhe an die Felgen näher zu bringen, drehen Sie die Einstellschraube nach links, aus dem Gewinde heraus. Sichern Sie diese durch die Sicherungsmutter.
2. Falls der Bremszug zu lose ist, drehen Sie die Stellschraube am Bremshebel nach rechts, in das Gewinde hinein. Danach lösen Sie die Schraube, mit welcher der Bremszug in der Bremsbacke angezogen und gesichert ist. Der Bremszug ist so zu spannen, dass die Bremschuhe in der richtigen Position gegenüber der Felge sind. Die Schraube an der Bremsbacke ist festzuziehen, wonach die Einstellung der Bremsen zu kontrollieren ist.

⚠️ WARNUNG!

Widmen Sie erhöhte Aufmerksamkeit dem Bremsen unter feuchten Bedingungen, der Bremsweg Ihres Fahrrades verlängert sich! Vor jeder Fahrt überzeugen Sie sich, ob das Bremssystem Ihres Fahrrades voll funktionstüchtig ist.



Integrierte Fußplattform

Das Spielzeug KELLYS KIRU RACE bietet dem Kind Bewegungsfreiheit und ist mit einer integrierten Fußplattform zum Hochstellen der Füße ausgestattet. Wenn das Kind die Füße hochgestellt hat, kann es nicht bremsen; es besteht somit die Gefahr, dass das Kind das Gleichgewicht verliert, herausgeschleudert wird oder sich selbst oder einer anderen Person einen Körperschaden zufügt. In ungünstigen Fällen kann sich das Kind beim Aufprall an der Plattform verletzen oder mit Bekleidungsstücken daran hängen bleiben.

Laufrad reinigen

Zum Reinigen des Laufrads empfehlen wir, das biologisch abbaubare Reinigungsmittel KELLYS BIKE CLEANER in Kombination mit warmen Wasser und einem weichen Tuch zu verwenden. Groben Schmutz vorab entfernen. Nach dem Reinigen lassen Sie das Laufrad trocknen oder wischen Sie es mit einem weichen und sauberen Tuch trocken. Vergewissern Sie sich, dass keine Flüssigkeit in die Lager und Räder eingedrungen ist. Keine Verdünnungsmittel oder ähnliche Produkte verwenden. Keine Haartrockner oder andere Heizgeräte benutzen, um den Trocknungsprozess zu beschleunigen, anderenfalls kann das Laufrad beschädigt werden.

HINWEISE ZUM FAHREN

1. Das Laufrad nicht im Straßenverkehr benutzen!
2. Immer einen Schutzhelm tragen.
3. Nicht in der Nähe von Kraftfahrzeugen fahren.
4. Das Bremsen auf einem sicheren Ort üben.
5. Niemals in der Nähe von Treppen, abschüssigen Hängen, Hügeln, Straßen, Gassen, Schwimmbecken und anderen Wasserbecken fahren.
6. Das Laufrad darf gleichzeitig nur von einer Person benutzt werden.
7. Das Laufrad nie bei regnerischem Wetter benutzen.
8. Keine Wagen, andere Fahrzeuge, Kinder auf Rollern oder Skateboards ankuppeln.
9. Das Laufrad nicht bei Dunkelheit benutzen.
10. Immer festes Schuhwerk und Schutzausrüstung tragen.
11. Fußgänger auf der rechten Seite behalten. Nicht in der Nähe von Fußgängern fahren. Jedwedes Risiko vermeiden, das bewirken könnte, dass Sie das Laufrad nicht unter Kontrolle haben.
12. Schlaglöcher, Spurrillen, unebene Oberfläche, Laub, Kies, Wasserpfützen und Abfälle können einen Verlust der Kontrolle verursachen.
13. Nicht auf Straßen und buckeligen Oberflächen fahren.
14. Den Lenker immer mit beiden Händen festhalten.
15. Nichts tragen, was Ihr Gehör beeinträchtigen könnte.

FAHREN AUF DEM LAUFRAD

1. Größe des Laufrads einstellen:

Der Sattel sollte in einer solchen Höhe eingestellt sein, dass Ihr Kind bei leicht angewinkelten Knien mit voller Fußfläche am Boden stehen kann. Der Lenker sollte sich in einer solchen Position befinden, damit die Arme beim Festhalten des Lenkers ungefähr in waagerechter Position sind. Prüfen Sie, ob diese Position Ihrem Kind zusagt.

Stellen Sie das Laufrad regelmäßig entsprechend der aktuellen Körpergröße des Kindes ein.

2. Anfänge:

Wenn das Kind fähig ist, das Laufrad vom Boden aufzurichten, so kann es damit auch fahren. Sie brauchen Ihrem Kind nicht umständlich zu erklären, wie es das Laufrad zu benutzen hat, überlassen Sie es einfach Ihrem Kind und achten Sie nur darauf, was es mit dem Laufrad macht. Kinder lernen sehr schnell und Sie können diese Lernfähigkeit fördern, wenn Sie Ihr Kind lassen, alleine mit dem Laufrad klar zu kommen. Normalerweise finden Kinder sehr schnell heraus, wie sie sich auf dem Laufrad bewegen und es lenken sollen. Achten Sie darauf, dass Ihr Kind auf dem Sattel und nicht auf dem Rahmenrohr sitzt.

3. Abstoßen:

Das Kind sollte sich vom Boden nach vorne abwechselnd mit dem linken und rechten Fuß abstoßen. Das Kind erreicht eine höhere Geschwindigkeit und das Fahren wird leichter, wenn es sich von den Fußspitzen abstößt und mit den Fersen aufsetzt.

4. Gleichgewicht halten:

Das Kind hält das Gleichgewicht beim Fahren vor allem mit dem Rücken und dem Gesäß. Sobald sich das Kind diese Fähigkeit aneignet, kann es auch andere Kinderfahrzeuge bedienen. Das Fahren auf dem Laufrad hilft, das Halten des Gleichgewichts zu üben, es fördert die körperliche und geistliche Entwicklung, stärkt die Rückenmuskulatur, verbessert die gesamte Koordination sowie die Bewegungsfähigkeiten des Kindes.

5. Wenn das Kind Hilfe brauchen sollte:

Lassen Sie Ihr Kind sich auf das Laufrad zu setzen und den Lenker festhalten. Halten Sie das Laufrad an der oberen Rahmenstange fest und bewegen Sie es nach links und rechts. Das Kind gewöhnt sich an diese neue Bewegungsart und lernt das Gleichgewicht zu halten.

GARANTIEBESTIMMUNGEN

Auf dieses KELLYS KIRU RACE Laufrad wird vom Fachhändler eine Garantie von 24 Monaten nach Verkauf an den Verbraucher gewährt.

GARANTIEBEDINGUNGEN

Die Garantiefrist verlängert sich um die Dauer der Ausführung der Garantiereparatur. Während der Garantiefrist werden alle Material-, Verarbeitungs- und Montagefehler kostenlos repariert.

DIE GARANTIE ERSTRECKT SICH NICHT AUF FEHLER, DIE VERURSACHT WURDEN DURCH

- Verschulden des Benutzers – Beschädigung des Produkts infolge unsachgemäßen Zusammenbaus – Überholung (z. B.: unzureichendes Einschieben des Sattelrohrs in den Rahmen und des Vorbaus in die Gabel, unzureichendes Festziehen der Schraubverbindungen, unsachgemäße Benutzung oder vernachlässigte Pflege (ungeeignete Lagerung), Beschädigung durch Unfall, unsachgemäße Reparatur, falsche Wartung, Schäden durch Austausch von Komponenten gegen solche, die mit der jeweiligen Ausstattung des Laufrads nicht kompatibel sind, Schäden durch technische Eingriffe in den Rahmen des Laufrads;
- gängigen Verschleiß der Gummi- und Kunststoffteile des Laufrads (z. B.: Reifen, Schlauch, Sattel, Griffe);
- mechanische Beschädigung – Abnutzung bei gängiger Benutzung des Laufrads (z. B.: Lackschäden).

Der Händler ist verpflichtet, alle Teile des Laufrads auf Funktion zu prüfen. Der Hersteller übernimmt keine Haftung für jedwede Verletzungen, Schäden oder Versagen, die auf einen falschen Zusammenbau oder eine unsachgemäße Wartung nach dem Versand des Produkts, d. h. durch unzureichenden Vorverkaufsservice beim Händler, zurückzuführen sind.

HINWEIS

Der Garantieschein ist ein Bestandteil des Produkts des entsprechenden Typs. Bewahren Sie ihn deshalb im eigenen Interesse sorgfältig auf.



Vážený zákazníku,
blahopřejeme Vám k zakoupení odrážedla KELLYS KIRU RACE.
Tento výrobek byl kontrolován a zkušěn v souladu s ustanovenou normou EN-71 a byl schválen. Tyto testy jsou prováděny v zájmu kvality a bezpečnosti během Vašeho používání.

Maximální nosnost odrážedla je 50kg.

Upozornění! Nevhodné pro děti do 3 let z důvodu velikosti.

Odrážedlo není určeno k používání na pozemních komunikacích – silnicích.



Výrobce: KELLYS BICYCLES s.r.o., Veľké Orvište, Slnecná Cesta 374, 922 01, Slovensko

Abyste byli s Vaším odrážedlem spokojeni a jeho používání bylo bezpečné, přečtěte si prosím tento návod k použití. Pomůže Vám seznámit se s Vaším odrážedlem.
Tento návod k použití je součástí výrobku, uložte si jej pro případné pozdější použití.

Prodejce, který Vám odrážedlo prodal, zajistí případné prohlídky a opravy Vašeho odrážedla.

POPIS ODRÁŽEDLA KELLYS KIRU RACE

Stylové dětské odrážedlo KIRU je ideálním nástrojem pro rozvíjení pohybové dovednosti a koordinace, a tak dítě rychleji zvládne jízdu na dvou kolech. Jízda na odrážedle přináší zábavu a pohyb na čerstvém vzduchu. Jíždou na odrážedle se dítě naučí udržovat rovnováhu, která je tak potřebná pro zvládnutí jízdy na opravdovém kole. Odrážedlo KIRU má lehký a pevný rám z hliníkové slitiny, nastavitelné sedlo, které umožňuje přizpůsobit odrážedlo výšce dítěte. 12" kola a balónové nafukovací pláště, které tlumí nárazy a jízda je tak komfortnější, protiskluzový dezén pláště bezpečně zvládá každý terén. Odrážedlo KELLYS KIRU RACE splňuje přísná bezpečnostní kritéria a je certifikováno podle evropské normy EN-71.

KELLYS KIRU RACE:

Lehký magnesiový rám
Integrované stupáčky na rámu
Brzdový systém: V-BRAKE
Výškově nastavitelné sedlo od 330mm do 420mm

Rídítka - délka 400mm, průměr 22,2mm
Nafukovací 12 palcová kola s hustším dezénem
Ocelová ložiska v kolech, ocelový náboj
Ráfky hliníkové, špiče ocelové
Hlavové složení s ocelovými ložisky
Hmotnost 4,1 kg

▲ DŮLEŽITÉ UPOZORNĚNÍ

Výrobek je určen pro děti a musí být proto používán pouze pod dohledem dospělé osoby.
Před použitím se ujistěte, že je odrážedlo kompletně složené.

Před použitím si důkladně přečtěte návod k použití. Pokud ne, může dojít k poškození odrážedla a zranění dítěte.

▲ Upozornění

Nevhodné pro děti do 3 let z důvodu velikosti.

Montáž a polohování musí provádět dospělá osoba nebo prodejce.

Maximální zatížení výrobku je 50kg.

Nářadí na montáž není přiloženo.

Seznamte Vaše dítě s bezpečnostními pokyny a upozorněními pro jízdu na odrážedle, které jsou obsaženy v návodu k použití.

Před každou jízdou kontrolujte, zda jsou všechny části funkční a dostatečně utaženy.

Nenafukujte duše víc, než je maximální hodnota uvedená na boku pláště.

Doporučená hodnota huštění je uvedena na boku pláště.

Při jízdě používejte speciální chrániče. Přilbu, chrániče kolen, loktů a pevnou obuv. Použití chráničů může snížit možnost vzniku úrazu, ale nemůže chránit před všemi úrazy.

Pokud je nějaká část poškozena, musí být opravena nebo vyměněna před dalším použitím.

Vyhýbejte se ostrým nárazům, poklopům kanálů a náhlým změnám povrchu.

Vyhýbejte se ulicím a plochám, kde je voda, písek, štěr, špína, listí a jiné nečistoty. Deštivé počasí, tma a snížená viditelnost zabraňuje jízdě. Nikdy nejezďte po tmě.

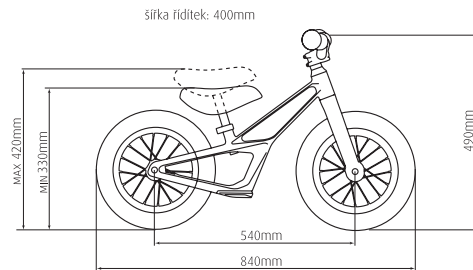
Nejezďte z kopce.

Odrážedlo není určeno k používání na pozemních komunikacích - silnicích.

Odrážedlo může být s ohledem na podmínky okolí při používání nebezpečné. Tato příručka obsahuje soubor pokynů, bezpečnostních doporučení a návod k použití a péči o tento výrobek. Čtěte pozorně, abyste snížili riziko zranění. Toto riziko se nedá nikdy zcela vyloučit. Výrobce neodpovídá za případné zranění dítěte, které může být způsobeno jízdou na odrážedle a používáním odrážedla.



ČÁSTI ODRÁŽEDLA KELLYS KIRU RACE





Doporučujeme, aby všichni uživatelé odrážedla nosili v zájmu bezpečnosti vlastní příslušné ochranné prostředky. Ani ty nejlepší ochranné prostředky nezabrání zranění v některých situacích. Následující pravidla pomohou udržet toto riziko pod kontrolou.

Před každou jízdou zkontrolujte, zda jsou všechny šroubové spoje pevně utaženy. V případě potřeby šrouby dotáhněte.

Začátečníci i pokročilí, kteří delší dobu nejezdili by si měli praxi zopakovat na místech k tomu určených.

Pravidla provozu na pozemních komunikacích musí být dodržována.

Při jízdě buďte neustále pozorní a opatrní.

Vyhnete se jízdě na mokřích nebo jinak kluzkých površích.

Pozor na jízdu na svažujících se tratích - je nebezpečná.

Nepoužívejte ho na jízdu z kopce.

NASTAVENÍ POLOHY SEDLA A ŘÍDÍTEK

Všechny funkční části odrážedla jsou nastaveny od výrobce a zkontrolovány Vaším prodejcem, proto odrážedlo můžete používat hned po zakoupení. Před používáním odrážedla upravte jen polohu sedla a řídítek. Sedlo nastavte tak, aby poskytovalo maximální pohodlí, ale současně bezpečné ovládní a stabilitu.

Pokud nemáte vhodné klíče pro montáž nebo potřebujete pomoci s montáží, doporučujeme Vám, obraťte se na nejbližšího kvalifikovaného prodejce KELLYS kol.

NASTAVENÍ SEDLA

Sedlo by mělo být v takové výšce, aby se dítě mohlo postavit na zem celou plochou chodidel s mírně pokrčenými nohama v kolenu. Řídítka by měla být v takové pozici, aby byly při uchopení řídítek horní končety přibližně v horizontální poloze. Zkontrolujte, zda tato pozice dítěti vyhovuje.

Pravidelně odrážedlo nastavujte dle aktuální výšky dítěte.

Pokud nastavíte sedlo příliš vysoko, budete nadměrně zatěžovat svaly nohou a zad.

Nízko nastavené sedlo způsobuje nadměrné zatížení kolen a svalů stehen.

Šroub uvolněte, nastavte výšku sedla a šroub dotáhněte. Zkontrolujte dotažení šroubu.

▲ DŮLEŽITÉ UPOZORNĚNÍ

Na sedlové trubce je vyznačena značka (ryška), která označuje minimální zasunutí sedlovky do rámu. Tato značka minimálního zasunutí sedlové trubky do rámu nesmí být viditelná.

Nikdy neupevňujte sedlovou trubku nad tuto značku! Šroubový mechanismus sedlovky musí být utažen tak, aby se sedlovka v rámu nedala otáčet.

DOPORUČENÉ KROUTÍCÍ MOMENTY PRO DOTAHOVÁNÍ:

Šrouby a matky by měly být dotahované pomocí momentového klíče. Tento postup zabrání nadměrnému dotažení a poškození závítů.

Šroub M6 imbus pro zámek sedlové trubky 20 - 35 Nm*

šroub M6 imbus pro zámek představce 20 - 25 Nm*

šroub M15 šestihranný - utažení předního kola ve vidlici 20 - 25 Nm*

šroub M15 šestihranný - utažení zadního kola v zadní vidlici 25 - 30 Nm*

* Dodržujte tyto doporučené hodnoty, pokud na výrobku není uvedeno jinak.

ÚDRŽBA A PÉČE

Používáním se odrážedlo přirozeně opotřebovává. Proto vyžaduje pravidelnou péči a údržbu. Různé materiály a součásti mohou reagovat na opotřebení nebo únavu namáháním různými způsoby. Překročili se plánovaná životnost nějaké součásti, tato součást může náhle selhat a způsobit zranění jezdce. Jakákoliv forma trhlin, rýh nebo změna zbarvení velmi namáhaných oblastí indikuje, že bylo dosaženo životnosti součásti a tato součást se má vyměnit.

Uživatel-rodíč, dospělá osoba, která dohlíží na dítě je zodpovědná za pravidelnou kontrolu všech dílů a dotažení šroubů. Pokud údržbu nezvládáte, svěřte ji specializovanému Cykloservisu. Pro výměnu jednotlivých dílů, kontaktujte prosím Vašeho prodejce. Po případném pádu zkontrolujte odrážedlo, zda nebylo poškozeno.

Prosím, nepoužívejte odrážedlo v případě, že došlo k prasknutí rámu nebo k viditelné deformaci. Každá změna původních dílů, materiálů nebo konstrukce odrážedla, může výrazně snížit jeho funkci. Totéž platí v případě závažného znečištění nebo poškození.

Všechny mechanické součásti odrážedla podléhají opotřebení a jsou vystaveny velkému namáhání.

RÁFKY

Před jízdou zkontrolujte, zda kola odrážedla jsou správně vycentrovaná a ráfky kol nejsou poškozeny.



Používáním resp. nárazům, mohou vzniknout na ráfku rýhy a praskliny. Jízda na poškozeném ráfku je nebezpečná - poškozený ráfek vyměňte!

PLÁŠTĚ

Dohlédněte, aby dítě nejezdilo na podhuštěných nebo přetížených pláštích. Dodržujte hodnoty doporučeného huštění, které jsou uvedeny na bočních stěnách každého pláště. Přepočít jednotek měření tlaku uvedených na pláštích: 100kPa = 14,22 P.S.I. = 1 bar = 1 at

BRZDOVÝ SYSTÉM

Brzdový systém, který je sestaven z brzdových pák, lanek a bowdenů, přední brzdové čelisti, brzdových špalíků, je jednou z nejdůležitějších součástí odrážedla KIRU RACE. Stlačením pravé brzdové páky ovládáte zadní brzdovou čelist. Brzda je nastavená od výrobce, proto pokud to není potřeba, vzhledem k Vaší bezpečnosti do brzdového systému nezasahujte!

Pravidelně kontrolujte opotřebení třecích ploch, brzdové špalíky a ráfky a udržujte je v čistotě. Při rozladění brzdového systému musíte brzdy znovu nastavit, popřípadě se obrátit na odborný cykloservis.

BRZDOVÁ LANKA

Brzdové lanko musí být správně napnuté - jen tak bude brzdový systém Vašeho kola účinný. Brzdové lanko se nastavuje seřizovacím šroubem na brzdových pákách. Lanko a bowden promazávejte teflonovým olejem, který zabezpečuje hladký chod lanka. Na ukončení lanka použijte koncovku, zabráníte tak rozpletení lanka a jeho poškození. Pokud je lanko poškozené nebo opotřebované, vyměňte ho.

NASTAVENÍ BRZD

Brzdové špalíky by měly být u brzd typu V ve vzdálenosti 1mm od ráfku kola.

▲ UPOZORNĚNÍ

Brzdové špalíky se nesmí dotýkat pláště - jinak by došlo k prodření pláště! Kontrolujte jejich opotřebení a když je potřeba, vyměňte je. Opotřebované brzdové špalíky vyměňte vždy za nové originální, odpovídající danému typu brzd. Brzdy je potřeba nastavit v závislosti na způsobu jízdy a věku dítěte.

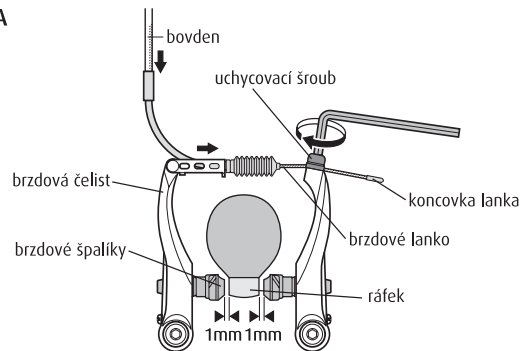
1. Uvolněte pojistnou matici nastavovacího šroubu na brzdové páce. Když je potřeba brzdové špalíky přiblížit blíže k ráfku, nastavovacím šroubem otáčejte směrem vlevo - ven ze závitů. Zajistěte pojistnou matici.

2. Jestliže je brzdové lanko příliš volné, otáčejte nastavovacím šroubem na brzdové páce směrem vpravo - dovnitř závitů. Uvolněte uchyvací šroub, kterým je utahnuté a zajištěné lanko v brzdové čelisti. Lanko napněte tak, aby brzdové špalíky byly ve správné poloze vůči ráfku. Uchyvací šroub na brzdové čelisti dotáhněte napevno a zkontrolujte nastavení brzd.

▲ DŮLEŽITÉ UPOZORNĚNÍ

Věnujte zvýšenou pozornost brzdění za mokra - brzdná dráha odrážedla se prodlouží! Před každou jízdou se přesvědčte, zda je brzdový systém odrážedla dokonale funkční.

BRZDA



RÁM A PŘEDNÍ VIDLICE

Pravidelně kontrolujte, zda rám a vidlice odrážedla nejsou poškozeny. K poškození rámu nebo vidlice (ohnutí nebo prasknutí trubek nebo svárů) dochází hlavně při pádech. Takto poškozený rám nebo vidlice dále nepoužívejte, riskujete vážný úraz!

INTEGROVANÁ PLATFORMA NA NOHY

Hračka KELLYS KIRU RACE umožňuje dítěti pohyblivost a je vybavena integrovanou platformou na vyložení nohou dítěte. Pokud má dítě vyložené nohy, nemůže nimi brzdit, hrozí ztráta rovnováhy, hrozí riziko vymrštění nebo zranění dítěte nebo jiných osob. Ve výjimečných případech hrozí zranění při nárazu do platformy nebo zachycení částí oděvu o platformu.

ČIŠTĚNÍ ODŘÁŽEDLA

Na čištění odrážedla doporučujeme použít biologicky odbouratelný čisticí přípravek KELLYS BIKE CLEANER v kombinaci s teplou vodou a jemnou utěrkou. Předem odstraňte hrubé nečistoty. Po vyčištění nechte odrážedlo uschnout, nebo jej osušte měkkou a čistou utěrkou. Ujistěte se, že se žádná tekutina nedostala do ložisek kol. Nepoužívejte ředidla nebo podobné prostředky. Nepoužívejte vysoušeč vlasů nebo jiné topné zařízení k urychlení procesu sušení, jinak může dojít k poškození odrážedla.



POKYNY PRO JÍZDU

1. Nepoužívejte odrážedlo na silničních komunikacích!
2. Vždy noste přilbu.
3. Nejezděte v blízkosti motorových vozidel.
4. Nacvičte si brzdění na bezpečném místě.
5. Nikdy nejezděte blízko schodů, prudkých svahů, kopců, cest, uliček, bazénů a dalších vodních nádrží.
6. Odrážedlo smí najednou používat pouze jedna osoba.
7. Nikdy nepoužívejte odrážedlo v deštivém počasí.
8. Nepřipojujte žádné vozíky, jiná vozidla, děti na bruslích nebo skateboardy.
9. Nepoužívejte odrážedlo v noci.
10. Vždy noste při jízdě pevnou obuv a ochranné pomůcky.
11. Mějte chodce po pravé straně. Nejezděte blízko chodců. Vyvarujte se riziku, které může způsobit, že nebudete mít odrážedlo pod kontrolou.
12. Díry, vyjeté koleje, nerovný povrch, listí, štěrky, louže a odpadky mohou způsobit ztrátu kontroly.
13. Nejezděte na silnici a hrbolatém povrchu.
14. Vždy se držte řídků oběma rukama.
15. Nenoste nic, co by zamezilo sluchu.

JÍZDA NA ODRÁŽEDLE

1. Nastavení velikosti odrážedla:

Sedlo by mělo být v takové výšce, aby se dítě mohlo postavit na zem celou plochou chodidel s mírně pokrčenými nohama v kolenu. Řídky by měla být v takové pozici, aby byly při uchopení řídků - horní končetiny přibližně v horizontální poloze. Zkontrolujte, zda tato pozice dítěti vyhovuje. Pravidelně odrážedlo nastavujte dle aktuální výšky dítěte.

2. Začátky:

Pokud je dítě schopno zvednout odrážedlo ze země, dokáže na něm také jezdit. Není potřeba dítěti dlouho vysvětlovat, jak odrážedlo používat, jednoduše to nechte na něm a pouze dohlížejte na to, co s odrážedlem provádí. Děti se velmi dobře učí a tuto schopnost pouze podpoříte, pokud je necháte, aby se naučily zacházet s odrážedlem sami. Obvykle najdou velmi rychle způsob, jak se na odrážedle pohybovat a jak jej řídit. Dohlížejte na to, aby dítě sedělo na sedle a ne na tyči rámu.

3. Odrážení:

Dítě by se mělo odrážet od země směrem dopředu střídavě levou a pravou nohou. Dítě dosáhne větší rychlosti a jízda bude pro něj lehčí, pokud se bude odrážet od špiček a dopadat na paty chodidel.

4. Vyrovnávání rovnováhy:

Při jízdě dítě vyrovnává rovnováhu především pomocí zad a hýždí. Jakmile si dítě osvojí tuto dovednost, dokáže ovládat i další jízdní prostředky pro děti. Jízda na odrážedle slouží k nácvičení rovnováhy, podporuje fyzické a duševní rozvoj, posiluje zádové svalstvo, zlepšuje celkovou koordinaci a pohybové schopnosti dítěte.

5. V případě, že dítě potřebuje pomoc:

Nechte dítě, aby se posadilo na odrážedlo a chytilo se řídků. Uchopte horní tyč rámu a pohybujte odrážedlem směrem doleva a doprava. Dítě si tak zvykne na tento nový druh pohybu a naučí se vyrovnávat rovnováhu.

ZÁRUČNÍ PODMÍNKY

Prodávající poskytuje na toto odrážedlo KELLYS KIRU RACE záruku 24 měsíců ode dne prodeje spotřebiteli.

ZÁRUČNÍ PODMÍNKY

Záruční doba se prodlužuje o dobu provádění záruční opravy. Po dobu trvání záruky budou všechny závady způsobené vadným materiálem, chybou prací a montáží opraveny bezplatně.

ZÁRUKA SE NEVZTAHUJE NA ZÁVADY VZNIKLÉ:

- zaviněním uživatelem - poškození výrobku neodborným sestavením - repasí (např.: nedostatečné zasunutí sedlové trubky do rámu a představce do vidlice, nedostatečné utažení, nesprávným používáním a zanedbáním péče o odrážedlo (nehodné uskladnění), poškození vzniklé nehodou, neodbornou opravou, nesprávnou údržbou odrážedla, poškození vzniklé změnou dílů za nekompatibilní s danou výbavou odrážedla, technickým zásahem do rámu odrážedla)
- běžným opotřebením gumových a plastových částí odrážedla (např.: pláště, duše, sedlo, rukojetě)
- mechanickým poškozením - opotřebením při běžném používání odrážedla (např.: poškození laku).

Povinností prodávajícího je zkontrolovat funkčnost všech částí odrážedla. Výrobce není zodpovědný za jakékoliv zranění, škodu nebo selhání, zaviněné chybným sestavením nebo nesprávnou údržbou po odeslání výrobku, tj. nedostatečným předprodejním servisem u prodávajícího.

Záruční list je příslušenstvím výrobku odpovídajícího typu. Ve vlastním zájmu proto záruční list pečlivě uschovejte. Výrobek je určen pro děti a musí být proto používán pouze pod dohledem dospělé osoby.



Szanowny kliencie,
gratulujemy i dziękujemy za dokonanie zakupu odpychacza KELLYS KIRU RACE.
Produkt ten został skontrolowany, sprawdzony i zatwierdzony zgodnie z postanowieniami normy EN-71. Niniejsze testy są wykonywane w celu poprawy jakości i bezpieczeństwa podczas korzystania z odpychacza.

Maksymalna nośność odpychacza wynosi 50 kg.

**Uwaga! Produkt nieodpowiedni dla dzieci do 3 lat z powodu rozmiaru.
Odpychacz nie jest przeznaczony do korzystania na komunikacjach lądowych – drogach.**



Producent: KELLYS BICYCLES s.r.o., Veľké Orvište, Slnčná Cesta 374, 922 01, Słowacja

Należy uważnie przeczytać niniejszą instrukcję obsługi, aby byli Państwo zadowoleni ze swojego odpychacza, a korzystanie z niego było bezpieczne. Pomoże to Państwu bliżej zapoznać się z odpychaczem. Niniejsza instrukcja obsługi stanowi część produktu i należy ją zachować w celu ewentualnego późniejszego korzystania.
Sprzedawca, który Państwu sprzedał ten odpychacz, zapewni jego ewentualne przeglądy i naprawy.

OPIS ODPYCHACZA KELLYS KIRU RACE

Stylowy dziecięcy odpychacz KIRU jest idealnym urządzeniem do rozwijania zręczności ruchowej i koordynacji, dzięki niemu Twoje dziecko szybciej nauczy się jeździć na dwóch kółkach. Jazda na odpychaczu dostarcza zabawy i ruchu na świeżym powietrzu. Dziecko, jeżdżąc na odpychaczu, nauczy się utrzymywać równowagę, która jest niezbędna do opanowania jazdy na prawdziwym rowerze. Odpychacz KIRU posiada lekką i stałą ramę ze stopu aluminium oraz siodełko nastawne, które umożliwiłoby przystosowanie odpychacza do wzrostu dziecka. Kółka 12" i dętkowe pompowane opony tłumią uderzenia, dzięki czemu jazda jest bardziej komfortowa, a antypoślizgowy bieżnik opon bezpiecznie sprawdza się w każdym terenie. Odpychacz KELLYS KIRU RACE spełnia ściśle kryteria bezpieczeństwa i jest certyfikowany zgodnie z normą europejską EN-71.

KELLYS KIRU RACE:

Lekka rama magnesiowa
Zintegrowane stopnie na ramie

Układ hamulcowy: V-BRAKE

Siodełko z regulowaną wysokością od 330mm do 420mm

Kierownica – długość 400mm, średnica 22,2mm

Pompowane 12 calowe kółka z gęstszym bieżnikiem

Stalowe łożyska w kółkach, piasta stalowa

Obręcze aluminiowe, szprychy stalowe

Stery z łożyskami stalowymi

Waga 4,1Kg

▲ ISTOTNE UWAGI

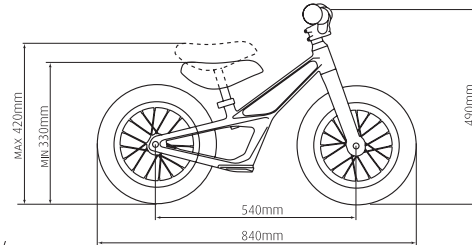
- Produkt jest przeznaczony dla dzieci i dlatego mogą one z niego korzystać tylko pod opieką osoby dorosłej.
- Przed korzystaniem należy sprawdzić, czy jest odpychacz całkowicie poskładany.
- Przed korzystaniem należy dokładnie przeczytać instrukcję obsługi. W przeciwnym razie może dojść do uszkodzenia odpychacza i odniesienia urazów przez dziecko.
- Uwaga! Produkt nieodpowiedni dla dzieci do 3 lat z powodu rozmiaru.
- Montaż i pozycjonowanie musi wykonywać osoba dorosła lub sprzedawca.
- Maksymalne obciążenie produktu wynosi 50kg.
- Narzędzia do montażu nie znajdują się w zestawie.
- Należy zapoznać swoje dziecko z zasadami bezpieczeństwa i ostrzeżeniami związanymi z jazdą na odpychaczu, które znajdują się w instrukcji obsługi.
- Przed każdą jazdą należy skontrolować, czy wszystkie części prawidłowo funkcjonują i są odpowiednio dokręcone.
- Dętki należy napompować do maksymalnej wartości podanej na bocznej stronie opony.
- Zalecana wartość napompowania podana jest na bocznej stronie opony.
- Podczas jazdy należy korzystać ze specjalnych ochraniaczy tzn. kasku, ochraniaczy na kolana i łokcie oraz odpowiedniego obuwia. Stosowanie ochraniaczy może zmniejszyć możliwość powstania urazu, ale nie może chronić przed wszystkimi urazami.
- W przypadku, gdy jakaś część jest uszkodzona, musi zostać naprawiona lub wymieniona przed dalszym korzystaniem z odpychacza.
- Należy unikać ostrych uderzeń, pokryw studzienek kanalizacyjnych i nagłych zmian powierzchni.
- Nie należy wjeżdżać na powierzchnie, gdzie znajduje się woda, piasek, żwir, brud, liście i inne zabrudzenia. Pogoda deszczowa, noc, ograniczona widoczność nie są odpowiednie do jazdy. Nigdy nie należy jeździć w nocy.
- Nie należy zjeżdżać z pagórków.
- Odpychacz nie jest przeznaczony do używania na komunikacjach lądowych – drogach.



CZĘŚCI KELLYS KIRU RACE



szerokość kierownicy: 400mm





Odpychacz ze względu na panujące warunki otoczenia może być podczas używania niebezpieczny. Niniejsza instrukcja zawiera zbiór wytycznych, zaleceń bezpieczeństwa, instrukcję obsługi oraz zasady dbania o ten produkt. Należy uważnie przeczytać instrukcję, aby zmniejszyć ryzyko odniesienia urazów. Ryzyka nigdy nie można całkowicie wykluczyć. Producent nie odpowiada za ewentualne obrażenia dziecka spowodowane jazdą na odpychaczu i używaniem odpychacza.

Zalecamy, aby wszyscy użytkownicy odpychacza ze względów bezpieczeństwa nosili własne odpowiednie środki ochronne. Nawet najlepsze środki ochronne nie uchronią przed odniesieniem obrażeń w niektórych sytuacjach. Poniższe zasady pomogą utrzymać to ryzyko pod kontrolą.

- Przed każdą jazdą należy sprawdzić, czy wszystkie połączenia śrubowe są odpowiednio dokręcone. W przypadku potrzeby należy dokręcić śruby.
- Początkujący i zaawansowani, którzy przez dłuższy czas nie jeździli, powinni przypomnieć sobie praktykę w miejscach do tego przeznaczonych.
- Zasady poruszania się po komunikacjach lądowych muszą być przestrzegane.
- Podczas jazdy należy być zawsze czujnym i ostrożnym
- Nie należy jeździć po powierzchniach mokrych lub śliskich
- Należy być ostrożnym podczas jazdy po spadzistych trasach – jest to niebezpieczne. Nie należy jeździć nim z pagórków.

NASTAWIENIE POZYCJI SIODEŁKA I KIEROWNICY

Wszystkie części funkcjonalne odpychacza są nastawione przez producenta i sprawdzone przez Twojego sprzedawcę, dlatego można z niego korzystać natychmiast po zakupie. Przed korzystaniem z odpychacza należy tylko zmienić pozycję siodelka i kierownicy. Siodelko należy nastawić w taki sposób, aby dostarczało maksymalnej wygody, a jednocześnie jazda była bezpieczna i stabilna. Jeżeli nie posiadasz odpowiednich kluczy do montażu lub potrzebujesz pomocy przy montażu, zalecamy zwrócić się do najbliższego sprzedawcy rowerów KELLYS.

NASTAWIENIE SIODEŁKA

Siodelko powinno zostać ustawione na takiej wysokości, aby dziecko mogło stanąć na ziemi całą powierzchnią stóp z delikatnie ujętymi nogami w kolanach. Kierownica powinna znajdować się w takiej pozycji, aby kończyny górne przy chwyceniu kierownicy znajdowały się w pozycji poziomej. Sprawdź, czy taka pozycja odpowiada dziecku.

Odpychacz należy regularnie nastawiać według aktualnego wzrostu dziecka.

Gdyby siodelko zostało ustawione zbyt wysoko, to mięśnie nóg i kręgosłup będą nadmiernie obciążone. Nisko ustawione siodelko spowoduje nadmierne obciążenie kolan i mięśni ud. Należy poluzować śrubę, nastawić wysokość siodelka, a następnie śrubę dokręcić. Należy sprawdzić dokręcenie śruby.

▲ ISTOTNE UWAGI

Na rurce od siodelka jest zaznaczony znak – kreska, która oznacza minimalne zasunięcie siodelka do ramy. Kreska minimalnego zasunięcia rurki siodelka do ramy nie może być widoczna. Nigdy nie należy rury od siodelka przykręcać powyżej tego znaku! Mechanizm śrubowy siodelka musi być przymocowany w taki sposób, aby siodelko nie obracało się w ramie.

ZALECANE MOMENTY OBROTOWE DLA DOCIĄNIĘCIA:

Śruby i nakrętki powinny być dokręcane za pomocą klucza dynamometrycznego. Takie postępowanie zapobiega nadmiernemu dokręceniu i uszkodzeniu gwintów.

śruba M6 imbusowa do zamykania rurki siodelka 20 - 35 Nm*

śruba M6 imbusowa do zamykania wspornika kierownicy 20 - 25 Nm*

śruba M15 sześciokątna - dokręcenie przedniego kółka w widelcu 20 - 25 Nm*

śruba M15 sześciokątna - dokręcenie tylnego kółka w tylnym widelcu 25 - 30 Nm*

* Należy przestrzegać niniejszych zalecanych wartości, jeśli na wyrobku nie znajdują się inne zalecenia.

KONSERWACJA I DBANIE O ODPYCHACZ

Podczas korzystania z odpychacza dochodzi do jego naturalnego zużycia. Dlatego też wymaga regularnego dbania i konserwacji. Różne materiały i części mogą w różny sposób reagować na zużycie lub zmęczenie spowodowane przez naprężenia. Jeżeli zostanie przekroczona planowana żywotność jakiejś części, to część ta może nagle zepsuć się i spowodować uraz dziecka. Jakkolwiek forma pęknięć, rys lub zmiana koloru bardzo obciążonych obszarów wskazuje, że została osiągnięta żywotność części, którą należy wymienić.



Użytkownik – rodzic, osoba dorosła, która opiekuje się dzieckiem jest odpowiedzialna za kontrolę wszystkich części i dokręcenie śrub. Jeżeli użytkownik nie radzi sobie z konserwacją, to powinien zwrócić się do specjalnego serwisu rowerów. W celu wymiany poszczególnych części proszę skontaktować się ze swoim sprzedawcą. Gdy odpychacz spadnie, należy sprawdzić, czy nie został uszkodzony.

Nie należy korzystać z odpychacza w przypadku, gdy doszło do pęknięcia ramy lub widocznej deformacji. Każda zmiana pierwotnych części, materiału lub konstrukcji odpychacza, może wyraźnie obniżyć jego funkcjonowanie. To samo obowiązuje w przypadku poważnego zabrudzenia lub uszkodzenia. Wszystkie części mechaniczne roweru podlegają zużyciu i wystawione są dużemu naprężaniu.

OBREŹCE

Przed jazdą należy sprawdzić, czy kółka odpychacza są odpowiednio wycentrowane, a obręcze kół nie są uszkodzone.

W wyniku używania lub uderzenia mogą na obręczach pojawić się rysy i pęknięcia. Jazda na uszkodzonej obręczy jest niebezpieczna – należy wymienić uszkodzą obręcz!

OPONY

Należy przestrzegać, aby dziecko nie jeździło na oponach niedopompowanych lub zbyt mocno napompowanych i nie przekraczać wartości zalecanego pompowania, które podane są na ścianach bocznych każdej opony. Przeliczenie jednostek pomiaru ciśnienia podanego na oponach: 100kPa = 14,22 P.S.I. = 1 bar = 1 at.

UKŁAD HAMULCOWY

Układ hamulcowy składający się z dźwigni hamulca, linki i panczerza, tylnego hamulca, klocek hamulcowych, jest jednym z najważniejszych układów Waszej biegówki KIRU RACE. Prawa dźwignia kieruje pracą tylnego hamulca. Hamulec jest ustawiony przez producenta, dlatego jeśli nie ma takiej konieczności, ze względu na Wasze bezpieczeństwo, nie ingerujcie w układ hamulcowy! Regularnie kontrolujcie stan powierzchni trących; klocki hamulcowe i obręcze utrzymujcie w czystości. Po rozregulowaniu układu hamulcowego hamulec trzeba ponownie nastawić, ewentualnie zwrócić się do wyspecjalizowanego serwisu. Powierzchnie zatłuszczone należy odtłuścić.

LINKI HAMULCOWE

Linka hamulcowa musi być dobrze naciągnięta - tylko w takim przypadku układ hamulcowy Waszej biegówki będzie prawidłowo funkcjonował. Linkę hamulcową reguluje się śrubą nastawną w dźwigni hamulcowej. Linkę i panczerz smarujcie olejem teflonowym zapewniającym ich lekką pracę. Na koniec linki załóżcie końcówkę zapobiegającą rozplataniu się. Jeśli linka jest uszkodzona lub zużyta, należy ją wymienić.

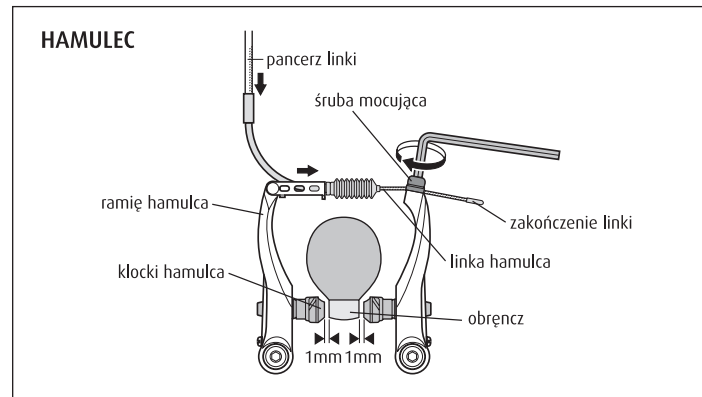
USTAWIENIE HAMULCÓW

W hamulcach typu V-brake klocki hamulcowy powinien znajdować się w odległości 1 mm od obręczy koła.

UWAGA

Klocki hamulcowe nie mogą dotykać opony - w takim przypadku może dojść do rozdarcia opony! Zużycie klocków należy kontrolować i w odpowiednim czasie wymienić. Zużyte klocki hamulcowe zawsze należy wymienić na nowe, oryginalne, odpowiednie do danego typu hamulców. Hamulce należy ustawić odpowiednio do stylu jazdy i wieku dziecka.

1. Poluzować śrubę regulacyjną na dźwigni hamulca. Jeśli trzeba ustawić klocki bliżej obręczy, śrubę regulacyjną należy obracać w lewą stronę - wykręcać. Zabezpieczyć śrubę regulacyjną.
2. Jeśli linka hamulcowa jest zbyt luźna, należy wkręcić (w prawo) śrubę regulacyjną na dźwigni hamulca. Poluzować śrubę mocującą linkę na ramieniu hamulca. Linkę naciągnąć tak, żeby klocki hamulcowe znalazły się we właściwym położeniu w stosunku do obręczy koła. Mocno dokręcić śrubę mocującą linkę do ramienia hamulca i sprawdzić jego ustawienie.





RAMA I PRZEDNI WIDELEC

Należy regularnie sprawdzać czy rama i widelec odpychacza nie są uszkodzone. Do uszkodzenia ramy lub widelca (wygięcie lub pęknięcie rurek lub spawów) dochodzi zwłaszcza podczas upadków. W przypadku uszkodzenia ramy lub widelca nie należy dalej korzystać z odpychacza, ponieważ istnieje ryzyko powstania poważnego urazu!

ZINTEGROWANA PLATFORMA NA NOGI

Zabawka KELLYS KIRU RACE umożliwia dziecku ruch na świeżym powietrzu i wyposażona jest w zintegrowaną platformę służącą do wyłożenia nóg przez dziecko. Jeśli dziecko ma wyłożone nogi to nie może nimi hamować, grozi to utratą równowagi i powstaje ryzyko wypadnięcia oraz odniesienia urazu przez dziecko lub inne osoby. W niektórych przypadkach istnieje ryzyko powstania urazu podczas uderzenia do platformy lub zahaczenia częściami ubrań o platformę.

CZYSZCZENIE ODPYCHACZA

Do czyszczenia odpychacza zalecamy stosować ulegający biodegradacji środek do czyszczenia KELLYS BIKE CLEANER w połączeniu z ciepłą wodą i delikatną ściereczką. Wcześniej należy usunąć poważne zabrudzenia. Po wyczyszczeniu należy pozostawić odpychacz, aby wyschnął lub go wysuszyć miękką i czystą ściereczką. Należy upewnić się, że żadne płyny nie dostały się do łożysk i kółek. Nie należy używać rozpuszczalników lub podobnych środków. Nie należy używać suszarki do włosów lub innych urządzeń do ogrzewania w celu przyspieszenia procesu suszenia, ponieważ może dojść do uszkodzenia odpychacza.

WYTYCZNE ZWIĄZANE Z JAZDĄ

1. Nie należy używać odpychacza na drogach komunikacyjnych!
2. Należy zawsze nosić kask.
3. Nie należy jeździć w pobliżu pojazdów silnikowych.
4. Hamowanie należy ćwiczyć w bezpiecznym miejscu.
5. Nigdy nie należy jeździć w pobliżu schodów, ostrych stoków, pagórków, dróg, uliczek, basenów i dalszych zbiorników wodnych.
6. Z odpychacza może w jednej chwili korzystać tylko jedna osoba.
7. Nigdy nie należy jeździć na odpychaczu podczas deszczu.
8. Nie należy przyłączać do odpychacza żadnych wózków, innych pojazdów, dzieci na rolkach lub skateboardów.
9. Odpychacza nie należy używać w nocy.
10. Zawsze podczas jazdy należy nosić odpowiednie obuwie i ochraniacze.
11. Należy zawsze mieć pieszego po prawej stronie. Nie należy jeździć w pobliżu pieszych. Nie należy powodować ryzyka, które sprawi, że odpychacz wymknie się spod kontroli.

12. Dziury, wyjeżdżone koleiny, nierówna powierzchnia, liście, zwir, kałuże i śmiecie mogą spowodować utratę kontroli nad odpychaczem.

13. Nie należy jeździć po drodze i wyboistej powierzchni.

14. Należy zawsze trzymać kierownicę obiema rękami.

15. Nie należy nosić niczego, co by mogło ograniczać twój słuch.

JAZDA NA ODPYCHACZU

1. Nastawienie rozmiaru odpychacza:

Siodełko powinno być nastawione na takiej wysokości, aby dziecko mogło stanąć na ziemi całą powierzchnią stóp, z lekko ugiętymi nogami w kolanach. Kierownica powinna znajdować się w takiej pozycji, aby górne kończyny podczas chwytania kierownicy były w pozycji poziomej. Proszę sprawdzić, czy taka pozycja odpowiada dziecku.

Odpychacz należy regularnie nastawiać zgodnie ze wzrostem dziecka.

2. Początki:

Jeżeli dziecko jest w stanie podnieść odpychacz z ziemi, to może także na nim jeździć.

Nie należy dziecku zbyt długo tłumaczyć, w jaki sposób należy korzystać z odpychacza, należy po prostu pozostawić odpychacz dziecku i tylko obserwować, co ono z nim zrobi. Dzieci bardzo szybko się uczą, a tą ich zdolność rodzice powinni tylko wspierać, pozwalając im na samodzielną naukę korzystania z odpychacza. Zazwyczaj dzieje się tak, że dzieci bardzo szybko same znajdują sposób, jak korzystać z odpychacza i jak nim kierować. Należy zwrócić uwagę na to, aby dziecko siedziało na siodełku, a nie na rurce ramy.

3. Odpychanie:

Dziecko powinno się odpychać od ziemi w kierunku do przodu na przemian lewą i prawą nogą. Dziecko osiągnie większą szybkość i jazda będzie dla niego łatwiejsza, jeżeli będzie się odpychało szpicami butów i spadało na piety stóp.

4. Wyrównywanie równowagi:

Podczas jazdy dziecko wyrównuje równowagę przede wszystkim za pomocą kregosłupa i pośladków. W chwili, gdy dziecko nauczy się tego, pozwoli mu to także opanować jazdę na kolejnych urządzeniach służących do jazdy. Jazda na odpychaczu służy do wycwiczenia równowagi, wspomaga rozwój fizyczny i intelektualny, rozwija mięśnie kregosłupa, poprawia ogólną koordynację i zdolności ruchowe dziecka.

5. W przypadku, gdy dziecko wymaga pomocy:

Pozwól dziecku, aby samo usiadło na odpychaczu i chwyciło za kierownicę. Należy chwycić za górny drążek ramy i poruszać odpychaczem w lewo i w prawo. Dziecko przyzwyczai się do nowego rodzaju



ruchu i nauczy się utrzymywać równowagę.

WARUNKI GWARANCYJNE

Sprzedający udziela konsumentowi 24 miesięczną gwarancję na odpychacz KELLYS KITE od dnia sprzedaży.

WARUNKI GWARANCJI

Okres gwarancyjny zostaje przedłużony o czas wykonywania naprawy gwarancyjnej. Podczas okresu trwania gwarancji wszystkie wady spowodowane wadliwym materiałem, błędną pracą i montażem zostaną naprawione bezpłatnie.

GWARANCJA NIE DOTYCZY WAD POWSTAŁYCH W PRZYPADKU:

- winy spowodowanej przez użytkownika – uszkodzenie produktu z powodu niefachowego złożenia (np.: niewystarczające wsunięcie rurki siodełka do ramy i wspornika kierownicy do widelca, nieodpowiednie przykręcenie, niewłaściwe używanie i dbanie o swój odpychacz, (niewłaściwe przechowywanie), uszkodzenie spowodowane w wyniku wypadku, niefachową naprawą, niewłaściwą konserwacją odpychacza, uszkodzenie spowodowane zamianą komponentów na niekompatybilne z danym wyposażeniem odpychacza, ingerencją techniczną do ramy odpychacza;
- zwykłego zużycia części gumowych i plastikowych odpychacza (np: opony, dętki, siodełko, ręczki);
- mechanicznego uszkodzenia – zużycia podczas zwykłego korzystania z odpychacza (np.: uszkodzenie lakieru).

Obowiązkiem sprzedającego jest sprawdzenie funkcjonowania wszystkich części odpychacza. Producent nie jest odpowiedzialny za jakikolwiek uraz, szkodę lub awarię, spowodowane błędnym złożeniem lub nieodpowiednią konserwacją po wyeksponowaniu produktu, tzn. nieodpowiednim serwisem przedsprzedażowym u sprzedającego.

UWAGA

Karta gwarancyjna stanowi także wyposażenie produktu. Dlatego też we własnym interesie należy przechować kartę gwarancyjną.



Vážení zákazník,

blahoželáme Vám k zakúpeniu odrážadla KELLYS KIRU RACE.

Tento výrobok bol kontrolovaný a skúšaný v súlade s ustanoveniami normy EN-71 a bol schválený.

Tieto testy sú vykonávané v záujme kvality a bezpečnosti počas vášho používania.

Maximálna nosnosť odrážadla je 50Kg.

Upozornenie! Nevhodné pre deti do 3 rokov z dôvodu veľkosti.

Odrážadlo nie je určené na používanie na pozemných komunikáciách – cestách.



Výrobca: KELLYS BICYCLES s.r.o., Veľké Orvište, Slnečná Cesta 374, 922 01, Slovensko

Abyste boli s vašim odrážadlom spokojný a jeho používanie bolo bezpečné, prečítajte si prosím tento návod na používanie. Pomôže Vám zoznámiť sa s vašim odrážadlom.

Tento návod na používanie je súčasťou výrobku, uložte si ho pre prípadné neskoršie použitie.

Predajca, ktorý Vám toto odrážadlo predal, zabezpečí prípadné prehliadky a opravy vášho odrážadla.

POPIS ODRÁŽADLA KELLYS KIRU RACE

Štylové detské odrážadlo KIRU je ideálnym nástrojom pre rozvíjanie ohybovej zručnosti a koordinácie, a tak dieťa rýchlejšie zvládne jazdu na dvoch kolesách. Jazda na odrážadle prináša zábavu a pohyb na čerstvom vzduchu. Jazdou na odrážadle sa dieťa naučí udržiavať rovnováhu, ktorá je tak potrebná pre zvládnutie jazdy na ozajstnom bicykli. Odrážadlo KIRU má ľahký a pevný rám z hliníkovej zliatiny, nastaviteľné sedlo, ktoré umožňuje prispôbiť odrážadlo výške dieťaťa. 12" kolesá a balónové nafukovacie plášte tlmia nárazy a jazda je tak komfortnejšia, protišmykový dezén plášťov bezpečne zvládla každý terén. Odrážadlo KELLYS KIRU RACE spĺňa prísne bezpečnostné kritériá a je certifikované podľa európskej normy EN-71.

KELLYS KIRU RACE:

Ľahký horčíkový rám

Integrované stúpačky na ráme

Brzdový systém: V-BRAKE

Výskovo nastaviteľné sedlo od 330mm do 420mm

Riadidlá - dĺžka 400mm, priemer 22,2mm

Nafukovacie 12 palcové kolesá s hustejším dezénom

Ložiská v kolesách oceľové, náboj oceľový

Ráfiky hliníkové, špice oceľové

Hlavové zloženie

Hmotnosť 4,1 Kg

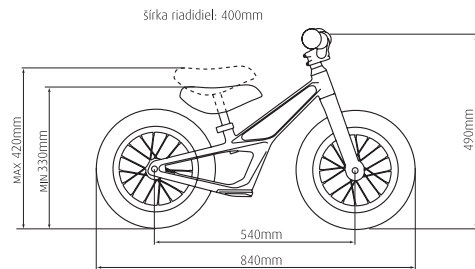
▲ DÔLEŽITÉ UPOZORNENIE

- Výrobok je určený pre deti a musí byť preto používaný len pod dohľadom dospeléj osoby.
- Pred použitím sa uistite, že je odrážadlo kompletne zložené.
- Pred použitím si dôkladne prečítajte návod na použitie. Pokiaľ nie, môže dôjsť k poškodeniu a zraneniu dieťaťa.
- Upozornenie! Nevhodné pre deti do 3 rokov z dôvodu veľkosti.
- Montáž a polohovanie musí vykonávať dospelá osoba alebo predajca.
- Maximálne zaťaženie výrobku je 50kg.
- Nástroje na montáž nie je priložené.
- Zoznámte vaše dieťa s bezpečnostnými pokynmi a upozoreniami pre jazdu na odrážadle, ktoré sú obsiahnuté v návode na použitie.
- Pred každou jazdou kontrolujte, či sú všetky časti funkčné a dostatočne utiahnuté.
- Nenafukujte duše viac, než je maximálna hodnota uvedená na boku plášťa.
- Doporučená hodnota hustenia je uvedená na boku plášťa.
- Pri jazde používajte špeciálne chrániče. Prilbu, chrániče kolien, lakťov a pevnú obuv. Použitie chráničov môže znížiť možnosť vzniku úrazu, ale nemôže chrániť pred všetkými úrazmi.
- Pokiaľ je nejaká časť poškodená, musí byť opravená alebo vymenená pred ďalším použitím.
- Vyhnite sa ostrým nárazom, poklopom kanálov a náhlym zmenám povrchu.
- Vyhybajte sa uliciam a plochám, kde je voda, piesok, štrk, špina, lístie a iné nečistoty. Daždive počasie tma a znížená viditeľnosť zabraňuje jazde. Nikdy nejazdite po tme.
- Nejazdite z kopca.
- Odrážadlo nie je určené na používanie na pozemných komunikáciách – cestách.

Odrážadlo môže byť s ohľadom na podmienky okolia pri používaní nebezpečné. Táto príručka obsahuje súbor pokynov, bezpečnostných doporučení a návod na použitie a starostlivosť o tento výrobok. Čítajte pozorne, aby ste znížili riziko zranenia. Toto riziko sa nedá nikdy úplne vylúčiť. Výrobca nezodpovedá za prípadné zranenie dieťaťa, ktoré môže byť spôsobené jazdou na odrážadle a používaním odrážadla.



ČASTI ODRÁŽADLA KELLYS KIRU RACE





Odporúčame, aby všetci užívatelia odrážadla nosili v záujme bezpečnosti vlastné príslušné ochranné prostriedky. Ani tie najlepšie ochranné prostriedky nezabránia zraneniu v niektorých situáciách. Nasledujúce pravidlá pomôžu udržať toto riziko pod kontrolou.

- Pred každou jazdou skontrolujte, či sú všetky skrutkové spoje pevné utiahnuté. V prípade potreby skrutky dotiahnite.
 - Začiatocníci aj pokročilí, ktorí dlhšiu dobu nejazdili by si mali prax zopakovať na miestach k tomu určených.
 - Pravidlá premávky na pozemných komunikáciách musia byť dodržiavané.
 - Pri jazde buďte neustále pozorný a opatrný
 - Vyhňte sa jazde na mokrých alebo inak klzkých povrchoch
 - Pozor na jazdu na zvažujúcich sa tratiach- je nebezpečná.
- Nepoužívajte ho na jazdu z kopca.

NASTAVENIE POLOHY SEDLA A RIADIDIEL

Všetky funkčné časti odrážadla sú nastavené od výrobcu a skontrolované Vaším predajcom, preto odrážadlo môžete používať hneď po zakúpení. Pred používaním odrážadla upravte len polohu sedla a riadidiel. Sedlo nastavte tak, aby poskytovalo maximálne pohodlie, ale súčasne bezpečné ovládanie a stabilitu.

Ak nemáte vhodné kľúče pre montáž alebo potrebujete pomoc s montážou, doporučujeme Vám, obráťte sa na najbližšieho kvalifikovaného predajcu KELLYS bicyklov.

NASTAVENIE SEDLA

Sedlo by malo byť v takej výške, aby sa dieťa mohlo postaviť na zem celou plochou chodidiel s mierne pokrčenými nohami v kolenách. Riadidlá by mali byť v takej pozícii, aby boli pri uchopení riadidiel horné končatiny približne v horizontálnej polohe. Skontrolujte, či táto pozícia dieťaťu vyhovuje.

Pravidelne odrážadlo nastavujte podľa aktuálnej výšky dieťaťa.

Pokiaľ by ste sedlo mali nastavené príliš vysoko, budete nadmerne zafažovať svaly nôh a chrbta. Nízko nastavené sedlo spôsobuje nadmerné zafažovanie kolien a svalov stehien. Skrutku uvoľnite, nastavte výšku sedla a skrutku dotiahnite. Skontrolujte dotiahnutie skrutky.

▲ DÔLEŽITÉ UPOZORNENIE

Na sedlovej trubke je vyznačená značka-ryška, ktorá označuje minimálne zasunutie sedlovky do rámu. Táto značka minimálneho zasunutia sedlovej trubky do rámu nesmie byť viditeľná. Nikdy neupevňujte sedlovú trubku nad túto značku! Skrutkový mechanizmus sedlovky musí byť utiahnutý tak, aby sa sedlovka v ráme nedala otáčať.

DOPORUČENÉ KRÚTIACE MOMENTY PRE DOŤAHOVANIE:

Skrutky a matky by mali byť doťahované pomocou momentového kľúča. Tento postup zabráni nadmernému dotiahnutiu a poškodeniu závitov.

skrutka M6 inbus pre záмок sedlovej trubky 20 - 35 Nm*

skrutka M6 inbus pre záмок predstavca 20 - 25 Nm*

skrutka M15 šesťhranná- utiahnutie predného kolesa vo vidlici 20 - 25 Nm*

skrutka M15 šesťhranná- utiahnutie zadného kolesa v zadnej vidlici 25 - 30 Nm*

* Dodržujte tieto doporučené hodnoty, pokiaľ na výrobku nie je uvedené inak.

ÚDRŽBA A STAROSTLIVOSŤ

Používaním sa odrážadlo prirodzene opotrebovávajú. Preto vyžaduje pravidelnú starostlivosť a údržbu. Rôzne materiály a súčasti môžu reagovať na opotrebovanie alebo únavu namáhaním rôznymi spôsobmi. Ak sa prekročí plánovaná životnosť niektorej súčasti, táto súčasť môže náhle zlyhať a spôsobí zranenie jazdca. Akákoľvek forma trhlin, rýh alebo zmena sfarbenia veľmi namáhaných oblastí indikuje, že sa dosiahla životnosť súčasti a táto súčasť sa má vymeniť.

Užívateľ- rodič, dospelá osoba, ktorá dohliada na dieťa je zodpovedná za pravidelnú kontrolu všetkých dielov a dotiahnutia skrutiek. Ak údržbu nevládáte, zverte ju špecializovanému cykloservisu. Pre výmenu jednotlivých dielov, kontaktujte prosím vášho predajcu. Po prípadnom páde skontrolujte odrážadlo, či nebolo poškodené.

Prosím, nepoužívajte odrážadlo v prípade, že došlo k prasknutiu rámu alebo k viditeľnej deformácii. Každá zmena pôvodných dielov, materiálu alebo konštrukcie odrážadla, môže výrazne znížiť jeho funkciu. To isté platí v prípade závažného znečistenia alebo poškodenia.

Všetky mechanické súčasti odrážadla podliehajú opotrebovaniu a sú vystavené veľkému



namáhaniu

RAFÍKY

Pred jazdou skontrolujte, či kolesá odrážadla sú správne vycentrované a ráfiky kolies nie sú poškodené.

Používaním resp. nárazom, môžu vzniknúť na ráfikoch ryhy a praskliny. Jazda na poškodenom ráfiku je nebezpečná - poškodený ráfik vymeňte!

Plášte

Dohladiňte aby dieťa nejazdilo na podhustených alebo prehustených plášťoch. Dodržujte hodnoty doporučeného hustenia, ktoré sú uvedené na bočných stenách každého pláštia. Prepočet meracích jednotiek tlaku uvedených na plášťoch: 100kPa = 14,22 P.S.I. = 1 bar = 1 at

Rám a predná vidlica

Pravidelne kontrolujte, či rám a vidlica odrážadla nie sú poškodené. K poškodeniu rámu alebo vidlice (ohnutie alebo prasknutiu trubiek alebo zvarov) dochádza hlavne pri pádoch. Takto poškodený rám alebo vidlicu ďalej nepoužívajte, riskujete vážny úraz!

BRZDOVÝ SYSTÉM

Brzdový systém, ktorý pozostáva z brzdovej páky, laniek a bowdenov, brzdovej čeluste, brzdových gumičiek, je jednou z dôležitejších súčastí odrážadla KIRU RACE. Stlačením brzdovej páky ovládáte zadnú brzdovú čelusť. Brzda je nastavená od výrobcu, preto pokiaľ to nie je potrebné, vzhľadom na Vašu bezpečnosť do brzdového systému nezasahujte!

Pravidelne kontrolujte opotrebovanie trecích plôch, brzdové gumičky a ráfiky udržiavajte v čistote. Pri rozladení brzdového systému musíte brzdzu znovu nastaviť, popri prípade obrátiť sa na odborný cykloservis.

BRZDOVÉ LANKÁ

Brzdové lanko musí byť správne napnuté - len tak brzdový systém odrážadla bude účinný. Brzdové lanko sa nastavuje nastavovacími skrutkami na brzdovej páke. Lanko a bowden premazávajú teflonovým olejom, ktorý zabezpečuje hladký chod lanka. Na ukončenie lanka použite koncovku, zabránite tak rozpleteniu lanka a tým jeho poškodeniu. Pokiaľ je lanko poškodené alebo opotrebované, vymeňte ho.

NASTAVENIE BRZD

Brzdové gumičky by mali byť u brzd typu-V vo vzdialenosti 1 mm od ráfiku kolesa.

UPOZORNENIE

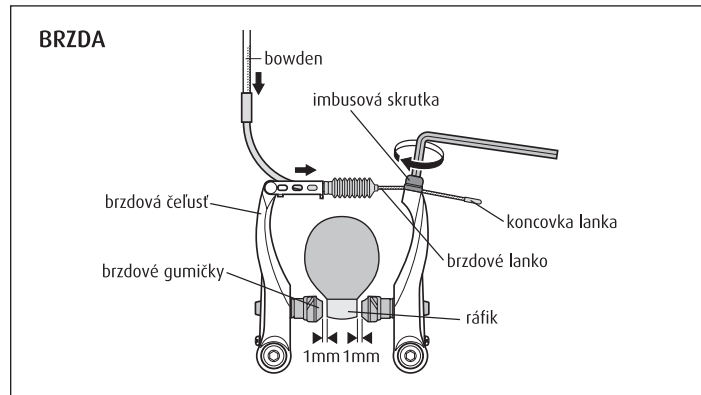
Brzdové gumičky sa nesmú dotýkať plášťa - inak by došlo k predratiu pláštia! Kontrolujte ich opotrebovanie a ak je to potrebné, vymeňte ich. Opotrebované brzdové gumičky vymieňajte vždy za nové originálne gumičky zodpovedajúce danému typu brzd.

1. Uvoľnite poistnú maticu nastavovacej skrutky na brzdovej páke. Ak je potrebné brzdové gumičky priblížiť bližšie k ráfik, nastavovaciu skrutku otáčajte smerom vľavo - von zo závit. Zaisťte poistnou maticou.

2. Ak je brzdové lanko príliš voľné, otáčajte nastavovaciu skrutkou na brzdovej páke smerom vpravo - do vnútra závit. Teraz uvoľnite skrutku, ktorou je utiahnuté a zaisťené lanko v brzdovej čelusti. Lanko napnite tak, aby brzdové gumičky boli v správnej polohe voči ráfik. Skrutku na brzdovej čelusti utiahnite napevno a skontrolujte nastavenie brzdy.

▲ DÔLEŽITÉ UPOZORNENIE

Venujte zvýšenú pozornosť brzdeniu za mokra - brzdná dráha odrážadla sa predĺži! Pred každou jazdou sa presvedčte, či je brzdový systém odrážadla dokonale funkčný. Brzdy je potrebné nastaviť v závislosti od spôsobu jazdy a veku dieťaťa.



INTEGROVANÁ PLATFORMA NA NOHY

Hračka KELLYS KIRU RACE umožňuje dieťaťu pohyblivosť a je vybavená integrovanou platformou na vylodenie nôh dieťaťa. Ak má dieťa vylodené nohy nemôže nimi brzdiť, hrozí strata rovnováhy, hrozí

riziko vymrštenia alebo telesného zranenia dieťaťa alebo iných osôb. V nepriaznivých prípadoch hrozí zranenie pri náraze do platformy alebo zachytenie častí odevov o plafandu.

ČISTENIE ODRÁŽADLÁ

Na čistenie odrážadla doporučujeme použiť biologicky odbúrateľný čistiaci prípravok KELLYS BIKE CLEANER v kombinácii s teplou vodou a jemnou utierkou. Vopred odstráňte hrubé nečistoty. Po vyčistení nechajte odrážadlo uschnúť, alebo ho osušte mäkkou a čistou utierkou. Uistite sa, že sa žiadna tekutina nedostala do ložísk a kolies. Nepoužívajte riedidlá alebo podobné prostriedky. Nepoužívajte sušič vlasov alebo iné vykurovacie zariadenie na urýchlenie procesu sušenia, inak môže dôjsť k poškodeniu odrážadla.

POKYNY PRE JAZDU

1. Nepoužívajte odrážadlo na cestných komunikáciách!
2. Vždy noste prilbu.
3. Nejazdite v blízkosti motorových vozidiel.
4. Nacvičte si brzdenie na bezpečnom mieste
5. Nikdy nejazdite blízko schodov, prudkých svahov, kopcov, ciest, uličiek, bazénov a ďalších vodných nádrží.
6. Odrážadlo môže naraz používať len jedna osoba
7. Nikdy nepoužívajte odrážadlo v daždivom počasí.
8. Nepripájajte žiadne vozíky, iné vozidlá, deti na korčuliach alebo skateboardy.
9. Nepoužívajte odrážadlo v noci.
10. Vždy noste pri jazde pevnú obuv a ochranné pomôcky.
11. Majte chodca po pravej strane. Nejazdite blízko chodcov. Vyvarujte sa riziku, ktoré môže spôsobiť, že nebudete mať odrážadlo pod kontrolou.
12. Diery, vyjazdené kolaje, nerovný povrch, listie, štrk, kaluže a odpadky môžu spôsobiť stratu kontroly.
13. Nejazdite na ceste a hrbolatom povrchu.
14. Vždy sa držte riaditok oboma rukami
15. Nenoste nič, čo by zamedzilo sluchu.

JAZDA NA ODRÁŽADLE

1. Nastavenie veľkosti odrážadla:

Sedlo by malo byť v takej výške, aby sa dieťa mohlo postaviť na zem celou plochou chodidiel s mierne pokrčenými nohami v kolenách. Riadidlá by mala byť v takej pozícii, aby boli pri uchopení riadidiel horné končatiny približne v horizontálnej polohe. Skontrolujte, či táto pozícia dieťaťa vyhovuje. Pravidelne odrážadlo nastavujte podľa aktuálnej výšky dieťaťa.

2. Začiatky:

Ak je dieťa schopné zdvihnúť odrážadlo zo zeme, dokáže na ňom tiež jazdiť. Nie je potreba dieťaťu zdvihnúť ho vysvetľovať, ako odrážadlo používať, jednoducho to nechajte na ňom a iba dohliadajte na to, čo s odrážadlom vykonáva. Deti sa veľmi dobre učia a túto schopnosť len podporíte, ak ich necháte, aby sa naučili zaobchádzať s odrážadlom sami. Obvyčajne nájdu veľmi rýchlo spôsob, ako sa na odrážadle pohybovať a ako ho riadiť. Dohliadajte na to, aby dieťa sedelo na sedle a nie na tyči rámu.

3. Odrážanie:

Dieťa by sa malo odrážať od zeme smerom dopredu striedavo ľavou a pravou nohou. Dieťa dosiahne väčšiu rýchlosť a jazda bude pre neho ľahšia, ak sa bude odrážať od špiciek a dopadať na päty chodidiel.

4. Vyrovnávanie rovnováhy:

Pri jazde dieťa vyrovnáva rovnováhu predovšetkým pomocou chrbta a zadku. Ako náhle si dieťa osvojí túto zručnosť, dokáže ovládať aj ďalšie jazdné prostriedky pre deti. Jazda na odrážadle slúži k nácviku rovnováhy, podporuje fyzický a duševný rozvoj, posilňuje chrbtové svalstvo, zlepšuje celkovú koordináciu a pohybové schopnosti dieťaťa.

5. V prípade, že dieťa potrebuje pomoc:

Nechajte dieťa, aby sa posadilo na odrážadlo a chytilo sa riadidiel. Uchopte hornú tyč rámu a pohybujte odrážadlom smerom doľava a doprava. Dieťa si tak zvykne na tento nový druh pohybu a naučia sa vyrovnávať rovnováhu.

ZÁRUČNÉ PODMIENKY

Predávajúci poskytuje na toto odrážadlo KELLYS KIRU RACE záruku 24 mesiacov odo dňa predaja spotrebiteľovi.

PODMIENKY ZÁRUK

Záručná doba sa predlžuje o dobu vykonávania záručnej opravy. Po dobu trvania záruky budú všetky závady spôsobené chybným materiálom, chybnou prácou a montážou opravené bezplatne.

ZÁRUKA SA NEVZŤAHUJE NA ZÁVADY VZNIKNUTÉ:

• zavinením užívateľom - poškodenie výrobku neodborným zostavením – repasiou (napr.: nedostatočné zasunutie sedlovej trubky do rámu a predstavca do vidlice, nedostatočné utiahnutie, nesprávnym používaním a zanedbaním starostlivosti o odrážadlo, (nevhodné uskladnenie), poškodenie vzniknuté haváriou, neodbornou opravou, nesprávnou údržbou odrážadla, poškodenie



vzniknuté zámennou komponentov za nekompatibilné s danou výbavou odrážadla, technickým zásahom do rámu

odrážadla;

- bežným opotrebovaním gumových a plastových častí odrážadla (napr.: plášte, duše, sedlo, rukoväťe);
- mechanickým poškodením - opotrebovaním pri bežnom používaní odrážadla (napr.: poškodenie laku).

Povinnosťou predávajúceho je skontrolovať funkčnosť všetkých častí odrážadla. Výrobca nie je zodpovedný za akékoľvek zranenie, škodu alebo zlyhanie, zavinené chybným zostavením alebo nesprávnou údržbou po vyexpedovaní výrobku, t.j. nedostatočným predpredajným servisom u predávajúceho.

▲ UPOZORNENIE

Záručný list je príslušenstvom výrobku zodpovedajúceho typu. Vo vlastnom záujme preto záručný list dôkladne uschovajte.



Tisztelt Vásárló!

Gratulálunk a KELLYS KIRU RACE futókerékpár megvásárlásához.

A jelen jóváhagyott termék az EN-71 szabvány szerinti ellenőrzésen és tesztelésen esett át. A tesztelesek elvégzésére a minőség és a biztonságos használat érdekében kerül sor.

A futókerékpár maximális teherbírása 50 kg.

Figyelem! Mérete miatt 3 év alatti gyermekek számára nem alkalmas.

A futókerékpárt nem közúti használatra tervezték.



Gyártó: KELLYS BICYCLES s.r.o., 922 01 Veľké Orvište, Slnecná Cesta 374, Szlovákia

A futókerékpárral való elégedettség és a biztonságos használat érdekében kérjük, olvassa el a jelen használati útmutatót. Segít Önnek megismerkedni a futókerékpárral.

Jelen használati útmutató a termék részét képezi, kérjük, őrizze meg az esetleges későbbi használatához.

A futókerékpár értékesítője biztosítja annak esetleges ellenőrzését és javítását.

A KELLYS KIRU RACE FUTÓKERÉKPÁR LEÍRÁSA

A stílusos KIRU gyermek futókerékpár a mozgáskészség és a koordináció ideális fejlesztési eszköze, amelynek köszönhetően a gyermek gyorsabban megtanulja a két keréken való közlekedést. A futókerékpár használata szórakozást és szabadtéri mozgást jelent. A gyermek a futókerékpár használatával megtanulja megtartani a valódi kerékpározáshoz elengedhetetlen egyensúlyt. A KIRU futókerékpár könnyű és erős alumínium ötvözetű vázzal, valamint állítható nyereggel van felszerelve, amely lehetővé teszi a futókerékpár gyermek magasságához való igazítását. A 12" kerekek és a felfújható ballonos gumik csillapítják az ütések, így több kényelmet nyújtanak, a gumik csúszásmentes mintázata pedig biztonságosan leküzd bármilyen terepet. A KELLYS KIRU RACE futókerékpár megfelel a szigorú biztonsági feltételeknek, és európai EN-71 tanúsítással rendelkezik.

KELLYS KIRU RACE:

Könnyű magnézium váz

Integrált lábtámasz a vázon

Fékerendszer: V-BRAKE

Állítható nyeregmagasság (330–420 mm)

Kormány – hossz: 400 mm, átmérő: 22,2 mm

12 colos felfújható kerekek sűrűbb mintázattal

Acél kerékcspagyák, acél kerékagy

Alumínium felnik, acél küllők

Kormánycsapágy acél csapágyakkal

Tömeg: 4,1 kg

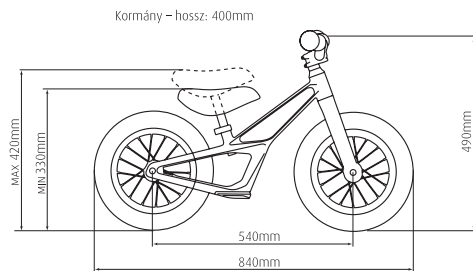
▲ FONTOS FIGYELMEZTETÉS

- A termék gyermekek számára készült, ezért kizárólag felnőtt személy felügyelete mellett használható.
- A használat előtt győződjön meg arról, hogy a futókerékpárt hiánytalanul összeszerelte-e.
- A használat előtt olvassa el a használati útmutatót. Ellentétes esetben károsodásra vagy a gyermek sérülésére kerülhet sor.
- Figyelem! A futókerékpár mérete miatt 3 év alatti gyermekek számára nem alkalmas.
- A szerelést és a magasságállítást felnőtt személynek vagy az értékesítőnek kell elvégeznie.
- A termék maximális terhelhetősége 50 kg.
- A csomagolás nem tartalmaz szerelőszerszámokat.
- Ismertesse gyermekével a futókerékpár használatára vonatkozó, használati útmutatóban foglalt biztonsági utasításokat és figyelmeztetéseket.
- Minden egyes használat előtt ellenőrizze az összes alkatrész működőképességét és megfelelő meghúzását.
- A kereket soha ne fújja fel a gumi oldalfalán megjelölt maximális értéknel nagyobb nyomásra.
- A sűrítés ajánlott értéke a gumi oldalfalán található.
- Használat közben viseljen megfelelő védőeszközöket: sisakot, könyök- és térdvédőt, stabil lábbel. A védőeszközök használata csökkentheti a baleset kockázatát, de nem képes megvédeni minden balesettől.
- Ha valamelyik alkatrész sérült, a további használat előtt meg kell javítani, vagy ki kell cserélni azt.
- Kerülje az éles útközekeket, csatornafedeleket és a hirtelen felületváltozásokat.
- Kerülje a vizes, homokos, kavicsos, szennyezett, falevelekkel borított utcákat és felületeket. Az esős idő, sötétség és a rossz látási viszonyok korlátozzák a közlekedést. Soha ne használja a futókerékpárt sötétben.
- Ne közlekedjen lejtőn lefelé.
- A futókerékpárt nem közúti használatra tervezték.

A futókerékpár használata a környezeti feltételektől függően veszélyes is lehet. Jelen útmutató utasításokat, biztonsági javaslatokat, valamint a használatra és az ápolásra vonatkozó útmutatást



KELLYS KIRU RACE - ELEMEI



- első villa
- felni
- első kerékagy
- gumibroncs
- küllőzés



tartalmaz, melyeket a sérülés kockázatának csökkentése érdekében figyelmesen olvasson el. A kockázatot soha nem lehet teljesen kizárni. A gyártó nem vállal felelősséget a gyermek futókerékpár használatából eredő esetleges sérüléséért.

Javasoljuk, hogy a futókerékpárt használó személyek a biztonság érdekében megfelelő védőeszközöket viseljenek. Némely esetekben azonban a legjobb védőeszközök sem akadályozhatják meg a sérülést. Az alábbiakban leírt szabályok segítenek ellenőrzés alatt tartani az esetleges sérülés kockázatát.

- Minden egyes használat előtt ellenőrizze a csavarkötések megfelelő meghúzását. Szükség esetén húzza meg a csavarokat.
- Kezdeknek vagy akár haladóknak is, akik már hosszabb ideje nem használták a futókerékpárt, javasoljuk, hogy az arra kijelölt helyen gyakoroljanak.
- Tartsa be a közúti közlekedés szabályait.
- Használat közben legyen figyelmes és óvatos.
- Kerülje a nedves vagy csúszós felületen való használatot.
- Ne közlekedjen lejtős pályákon – veszélyes lehet. A futókerékpárral ne haladjon dombról lefelé.

NYEREG- ÉS KORMÁNYMAGASSÁG BEÁLLÍTÁSA

A futókerékpár összes funkcionális része gyári beállítású, melyet az értékesítő ellenőriz, így a futókerékpár a vásárlást követően azonnal használatra kész. A futókerékpár használata előtt csak a nyereg- és a kormánymagasság beállítása szükséges. A nyergert úgy állítsa be, hogy maximális kényelmet, de egyúttal biztonságos kezelést és stabilitást nyújtson.

Ha nem rendelkezik megfelelő szerelőkulcsokkal, vagy segítségre van szüksége, kérjük, forduljon a KELLYS kerékpárok legközelebbi szakképzett értékesítőjéhez.

NYEREG BEÁLLÍTÁSA

A nyeregnek olyan magasságban kell lennie, hogy a gyermek mindkét talpa – kissé behajlított térdekkel – teljes felületével a talajon legyen. A kormány pozíciója akkor megfelelő, ha megfogásakor a kéz vízszintes helyzetbe kerül. Ellenőrizze, hogy a gyermeknek megfelel-e ez a pozíció.

A futókerékpár rendszeren állítsa be a gyermek aktuális magassága szerint.

Ha a nyergert túl magasra állítja, túlságosan megterheli a láb és a hát izmait. Az alacsony nyereg a térdék és a combizmok túlzott megterhelését eredményezi.

A csavart oldja ki, állítsa be a nyeregmagasságot, és húzza meg a csavart. Ellenőrizze a csavar meghúzását.

FONTOS FIGYELMEZTETÉS

A nyeregcsövön a nyereg minimális süllyesztési szintjére egy jelölés figyelmeztet. A nyereg minimális süllyesztési szintjének jelölése nem lehet látható.

A nyeregcsövet soha ne rögzítse a jelölés felett! A nyereg csavarszerkezetét úgy húzza meg, hogy a nyereg a vázban ne legyen elmozdítható.

AJÁNLOTT MEGHÚZÁSI NYOMATÉKOK:

A csavarok és az anyák meghúzásához nyomatékulcs használata javasolt, amely megakadályozza a túlzott meghúzást és a menetek sérülését.

M6-os imbusz csavar a nyeregcső zárhoz 20–35 Nm*

M6-os imbusz csavar a kormányzár zárhoz 20–25 Nm*

M15-ös hatszögletű csavar – az első kerék meghúzásához a villában 20–25 Nm*

M15-ös hatszögletű csavar – a hátsó kerék meghúzásához a hátsó villában 25–30 Nm*

*A termék eltérő jelölése hiányában tartsa be a fentiekben javasolt értékeket.

KARBANTARTÁS ÉS ÁPOLÁS

A futókerékpár használata természetes elhasználódást eredményez, ezért rendszeres ápolást és karbantartást igényel. A futókerékpár anyagai és alkatrészei különböző módon reagálhatnak az elhasználódásra vagy a terhelés okozta fáradásra. Valamely alkatrész tervezett élettartamának túllépése az adott alkatrész meghibásodásához, és a kerékpárt használó személy sérüléséhez vezethet. A nagy igénybevételnek kitett alkatrészekon keletkező repedések, barázdák vagy elszíneződések az adott alkatrész élettartamának végét és csereigényét jelzik.

Az alkatrészek rendszeres ellenőrzéséért, és a csavarok meghúzásáért a gyermekre felügyelő felhasználó – szülő vagy más felnőtt személy felelős. Ha a karbantartást nem tudja elvégezni, bízva szakosodott kerékpárszervizre. Az egyes alkatrészek cseréjéhez, kérjük, vegye fel a kapcsolatot az értékesítőjével. Az esetleges esést követően ellenőrizze a futókerékpárt, hogy nem sérült-e.

Kérjük, ne használja a futókerékpárt törött váz vagy látható deformáció esetén. A futókerékpár eredeti alkatrészeinek, anyagának vagy szerkezetének bármilyen módosítása jelentősen csökkentheti a



kerékpár funkcióját. Ugyanez vonatkozik a futókerékpár nagymértékű szennyezettségére vagy sérülésére is.

A kerékpár mechanikai alkatrészei elhasználódnak és nagy terhelésnek vannak kitéve.

FELNIK

A használat előtt ellenőrizze, hogy a kerekek beállítása megfelelő-e, illetve, hogy a kerékfelnik nem sérültek-e.

A felnin használat vagy ütközés következtében barázdák és repedések keletkezhetnek. A sérült felnin való közlekedés veszélyes – cserélje ki!

GUMIK

Ügyeljen arra, hogy a gyermek ne közlekedjen túlsűrített vagy elégtelenül sűrített gumikon. Tartsa be a gumik oldalán található ajánlott sűrítési értékeket. A nyomás gumikon szereplő mértékegységeinek átszámítása: 100 kPa = 14,22 P.S.I. = 1 bar = 1 at

FÉKRENDSZER

A fékrendszer, amely fékkarból, huzalból és bowdeből, hátsó fékpofából, fékgumiból áll, az Ön KIRU RACE futókerékpárjának egyik legfontosabb alkatrésze. A jobb fékkar a hátsó fékpofát irányítja. A féket a gyártó állítja be, ezért ha nem szükséges, ne avatkozzon be a fékrendszerbe! Rendszeresen ellenőrizze a sűrítési felületek elhasználódását, a fékgumikat és felnit tartsa tisztán. Amennyiben meglazul a fékrendszer, újra be kell állítania, esetleg forduljon szakemberhez - szakszervizhez.

FÉKHUZALOK

A fékhuzalok megfelelő feszessége biztosítja fékrendszer hatékony működését. A fékhuzalok állítására a fékkaron található állítócsavarok szolgálnak. A huzalokat és a bowdeneket kenje teflontartalmú olajjal, mely könnyű működést biztosít. Amennyiben a huzal károsodott, vagy elhasznált, cserélje ki.

FÉKEK BEÁLLÍTÁSA

A fékgumiknak a V típusú fékeknél 1 mm távolságban kellene lenniük a felnitől.

1. Lazítsa ki a beállító csavar biztosító anyacsavarát a fékkaron. Amennyiben szükségessé válik a fékgumit közelebb hozni a felnihez, az állító csavart forgassa bal felé - kifelé a menetből. Biztosítsa be a biztosító anyacsavarral.

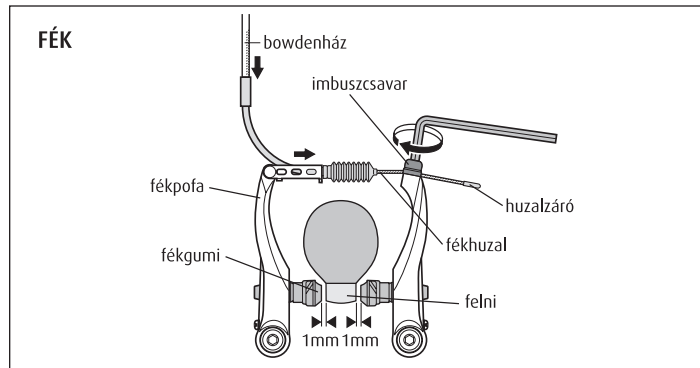
2. Ha a fékhuzal túlságosan laza, az állító csavart forgassa a fékkaron jobb felé - befelé a menetbe. A huzalt feszítse meg úgy, hogy a fékgumik a megfelelő helyzetbe kerüljenek a kerékabronccsal szemben. A fékpofán levőcsavart tövig húzza be és ellenőrizze a fék beállítását.

▲ FIGYELMEZTETÉS

A fékgumiknak nem szabad a gumiabroncshoz érniük - mert ez a gumiabroncs kopását okozná! Ellenőrizze elhasználódásukat, és ha szükséges, cserélje ki őket. Elhasználódott fékgumikat cserélje ki eredetivel megegyező típusra.

▲ FONTOS FIGYELMEZTETÉS

Nedves felületen futókerékpárja féktávolsága meghosszabodik! Minden egyes út előtt győződjön meg róla, hogy futókerékpárja fékrendszere teljes mértékben működőképes. A fékeket állítsa be a gyermeke életkorához és kerékpározási stílusának megfelelően.



VÁZ ÉS ELSŐ VILLA

Rendszeresen ellenőrizze, hogy a futókerékpár váza és villája nem sérült-e. A váz vagy a villa sérülésére (a csövek vagy a hegesztések elgörbülésére vagy repedésére) főként eséseknél kerül sor. Az így sérült vázat vagy villát ne használja, súlyos baleset kockázata áll fenn!

INTEGRÁLT LÁB PLATFORM

A KELLYS KIRU RACE játék a gyermek számára mozgást tesz lehetővé, amely során a lábát az integrált platformra helyezheti. Ha a gyermek lábai a platformon vannak, nem tud fékezni, elvesztheti az egyensúlyát, és fennáll az esés, illetve a gyermek vagy más személyek sérülésének a kockázata. Kedvezőtlen helyzetekben a platformba való ütközés vagy a platformba beakadt ruha következtében is sérülés kockázata áll fenn.

A FUTÓKERÉKPÁR TISZTÍTÁSA

A futókerékpár tisztításához biológiailag lebomló KELLYS BIKE CLEANER tisztítószer használata



javasolt meleg vízzel és puha törülköendővel kombinálva. Először a durva szennyeződésekét távolítsa el. A tisztítást követően hagyja a futókerékpárt megszáradni, vagy törölje szárazra puha és tiszta törülköendővel. Győződjön meg arról, hogy a csapágyakba és a kerekbe nem került folyadék. Ne használjon higítót vagy hasonló szereket. A szárítás meggyorsításához soha ne használjon hajszárítót vagy más fűtőberendezést, károsíthatják a futókerékpárt.

HASZNÁLATI UTASÍTÁSOK

1. A futókerékpárt ne használja közutakon!
2. Mindig viseljen sisakot!
3. A futókerékpárral ne közlekedjen gépjárművek közelében.
4. Gyakorolja a fékezést biztonságos helyen.
5. A futókerékpárt soha ne használja lépcsők, meredek lejtők, dombok, utak, utcák, medencék és egyéb víztározók közelében.
6. A futókerékpárt egyszerre csak egy személy használhatja.
7. Soha ne használja a futókerékpárt esős időben.
8. Ne csatlakoztasson hozzá kocsikat vagy egyéb járműveket, és ne húzzon görkorcsolyázó vagy gördeszkázó gyerekeket.
9. Ne használja éjszaka.
10. Viseljen stabil lábbelit és védőeszközöket.
11. A gyalogosok jobb oldalt legyenek. Ne közlekedjen a gyalogosok közelében. Kerülje azokat a helyzeteket, amikor elvesztheti uralmát a kerékpár felett.
12. A lyukak, keréknyomok, egyenetlen felületek, falevelek, kavics, kátyúk és hulladékok a kerékpár feletti uralom elvesztéséhez vezethetnek.
13. Ne közlekedjen úton és göröngyös felületen.
14. A kormányt mindig két kézzel fogja.
15. Ne viseljen semmit, ami akadályozná a hallását.

A FUTÓKERÉKPÁR HASZNÁLATA

1. A futókerékpár magasságának beállítása:

A nyeregnek olyan magasságban kell lennie, hogy a gyermek mindkét talpa – kissé behajlított térddekkel – teljes felületével a talajon legyen. A kormány pozíciója akkor megfelelő, ha megfogásakor a kéz vízszintes helyzetbe kerül. Ellenőrizze, hogy a gyermeknek megfelelő-e ez a pozíció. A futókerékpárt rendszeren állítsa be a gyermek aktuális magassága szerint.

2. A kezdetek:

Ha a gyermek képes felvenni a futókerékpárt a földről, képes lesz használni is azt. Nem kell neki hosszasan magyarázni a futókerékpár használatát, egyszerűen bizza rá, és csak kövesse figyelemmel, mit csinál vele. A gyerekek nagyon könnyen tanulnak, és ezt csak támogatja azzal, ha hagyja, hogy magától tanulják meg a futókerékpár használatát. Általában igen gyorsan megtalálják a

módját annak, hogyan kell a futókerékpáron közlekedni, és hogyan kell irányítani azt. Ügyeljen arra, hogy a gyermek a nyergen, és ne a váz rúdján üljön.

3. Elrugaszzkodás:

A gyermeknek a talajtól előrefelé, felváltva jobb és bal lábbal kellene elrugaszkodnia. Nagyobb sebességet ér el, és könnyebben halad, ha a lábujjhegyeivel rugaszodik el, és a sarkára esik vissza.

4. Az egyensúly megtartása:

A gyermek használat közben elsősorban a hát és a fenék segítségével tartja meg az egyensúlyát. Amint elsajátítja ezt a képességet, használni tudja a gyerekeknek szánt többi közlekedési eszközt is. A futókerékpár használata az egyensúly gyakorlására szolgál, támogatja a gyerek testi és lelki fejlődését, erősíti a hátizmokat, javítja a gyermek általános koordinációját és mozgáskészségét.

5. Ha a gyermeknek segítségre van szüksége:

Hagyja, hogy a gyermek a futókerékpárra üljön, és megfogja a kormányt. Fogja meg a váz felső rúdját, majd mozgassa a futókerékpárt jobbra és balra. A gyermek így hozzászokik az újfajta mozgáshoz, és megtanulja megtartani az egyensúlyát.

GARANCIÁLIS FELTÉTELEK

Az értékesítő a jelen KELLYS KIRU RACE futókerékpárra 24 hónap garanciát nyújt, amely a fogyasztó részére történő eladás pillanatában kezdődik.

GARANCIÁLIS FELTÉTELEK

Garanciális javítás esetén a garanciális idő meghosszabbodik a javítás időtartamával. A garancia időtartama alatt díjmentes javítást biztosítunk a hibás anyagokból, munkából vagy szerelésből eredő meghibásodások esetére.

A GARANCIA NEM VONATKOZIK:

- a felhasználó hibájából keletkező meghibásodásokra – a termék szakszerűtlen összeszerelésével – felújításával okozott sérülésekre (pl.: a nyereg/kormányoszár nem megfelelő behelyezése a nyeregsőbe/villába, elégtelen meghúzás, a futókerékpár nem megfelelő használata vagy ápolása, nem megfelelő tárolás), a balesetekből, szakszerűtlen javításból, nem megfelelő karbantartásból, inkompatibilis alkatrészek felhasználásából vagy a vázba történő műszaki beavatkozásból eredő károokra;
- a futókerékpár gumi és műanyag részeinek szokásos elhasználódásából eredő hibákra (pl.: gumi, tömlő, nyereg, markolat);
- a mechanikus sérülésekre – a futókerékpár szokásos használata okozta elhasználódásra (pl.: lakkserülés).



Az értékesítő köteles ellenőrizni a futókerékpár összes részének működőképességét. A gyártó semmilyen felelősséget nem vállal a termék hibás összeszereléséből vagy a kiszállítást követő nem megfelelő karbantartásából (az értékesítő elégtelen értékesítés előtti szolgáltatásaiból) eredő bármilyen sérülésért, kárért vagy meghibásodásért.

▲ FIGYELMEZTETÉS

A garanciajegy a megfelelő típusú termék tartozéka, ezért kérjük, hogy a saját érdekében gondosan őrizze meg.



Cher client,

Merci pour votre achat d'une draine Kellys KIRU RACE.

Ce produit a été vérifié, testé et approuvé conformément aux dispositions de la norme EN-71. Ces tests sont réalisés dans le but de garantir qualité et sécurité lors de l'utilisation de ce produit.

La charge maximale que peut supporter cette draine est de 50 Kg.

Attention : ne convient pas à un enfant de moins de 3 ans de par la taille de ce produit. La draine sans pédales Kellys n'est pas destinée à un usage sur le réseau routier.



Fabricant: KELLYS BICYCLES s.r.o., Veľké Orvište, Slnecná Cesta 374, 922 01, Slovakia

Afin de garantir votre satisfaction quant à l'utilisation de ce produit, nous vous recommandons de bien lire ce manuel, qui vous aidera à bien comprendre et bien utiliser ce produit. Ce manuel d'utilisation vous est livré avec ce produit et nous vous recommandons vivement de le conserver. Pour tout contrôle ou réparation de ce produit, merci de contacter le vendeur de ce produit.

DESCRIPTION DE LA DRAINE KELLYS KIRU RACE AVEC FREINS

La draine pour enfant KIRU Race, est un instrument idéal pour le développement des compétences motrices et de la coordination de l'enfant. Le plus souvent grâce à l'utilisation de cette draine Kellys KIRU Race, les enfants acquièrent de façon ludique bien plus rapidement l'équilibre dans le but de la maîtrise d'un vrai vélo. Le cadre de la Draine Kellys KIRU Race est en alliage d'aluminium léger, avec une tige de selle et selle ajustable en hauteur à la taille de l'enfant. Les roues de 12 pouces avec ces pneus et chambre à air permettent l'absorption des chocs et procurent un maximum de confort lors de l'utilisation. Les sculptures des pneus permettent l'utilisation de ce produit sur la route et chemins. La draine KELLYS KIRU RACE répond à des règles de sécurité strictes et respecte la norme européenne EN-71.

KELLYS KIRU RACE:

Cadre magnésium léger
avec plateforme pour les pieds

Freins: V-BRAKE

Hauteur de selle réglable de 330 mm à 420 mm

Largeur du guidon: 400 mm, diamètre: 22,2 mm

Pneus: 12 pouces type ballon

Moyeux: acier à roulements à billes,

jantes: aluminium / rayons acier

Jeu de direction: à roulement à billes

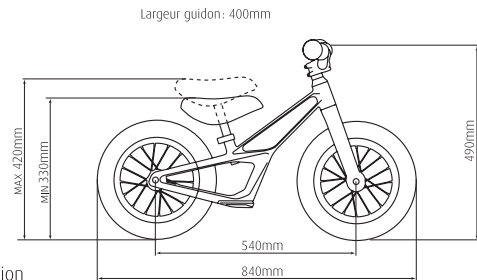
Poids: 4,1 kg

⚠️ AVIS IMPORTANT

- Ce produit est destiné aux enfants. Par conséquent, son utilisation doit toujours être supervisée par un adulte.
 - Avant utilisation toujours vérifier le produit afin de s'assurer de son bon fonctionnement.
 - Toujours lire les instructions de ce manuel avant utilisation. Ne pas le faire peut entraîner des dommages et des blessures à l'enfant.
 - Attention: ne convient pas à des enfants de moins de 3 ans en raison de la taille du produit
 - L'assemblage du produit doit être fait soit par le vendeur, soit par un adulte.
 - Le poids maximal de l'utilisateur ne doit pas être supérieur à 50 Kg.
 - Les outils servant à l'assemblage ne sont pas fournis avec le produit.
 - Assurez-vous que votre enfant connaît les règles de sécurité et les avertissements liés à l'utilisation de cette draine Kellys Kite12 Race qui font l'objet des instructions de ce manuel.
 - Avant chaque usage, veuillez vérifier l'état de la draine et en vérifier les serrages.
 - Ne pas dépasser la valeur maximale de gonflage indiquée sur les flancs des pneus.
 - La pression recommandée est indiquée sur les flancs des pneus.
 - Lors de l'utilisation de la draine Kellys KIRU Race, il est recommandé d'utiliser et d'équiper votre enfant d'un casque, de protections pour les genoux, les coudes et les mains ainsi que de chaussures adaptées. L'usage de ces protections ne pourra cependant pas empêcher de toutes les blessures.
 - Si une partie ou pièce de la draine Kellys KIRU Race est endommagée, elle doit être remplacée avant toute nouvelle utilisation.
 - Evitez de cogner des bords tranchants, des capots et les changements soudains de surfaces.
 - Evitez de l'utiliser dans les rues et zones inondées, dans le sable, le gravier, la boue, les feuilles mortes, et autres débris. Par temps pluvieux, par brouillard peut altérer l'utilisation. Ne pas jamais utiliser dans l'obscurité.
 - Ne pas utiliser sur des pistes de descentes
 - La draine Kellys KIRU Race n'est pas faite pour être utilisée sur la voie publique.
- Lors de l'utilisation des dangers peuvent provenir des roues en fonction des conditions environnementales. Ce manuel contient des avis et des recommandations de sécurité, ainsi que les



KELLYS KIRU RACE PARTS



- Fourche
- Jante
- Moyeu AV
- Pneu
- Rayons

instructions au bon entretien de votre draineuse. Lisez attentivement ce manuel afin de minimiser les risques de blessures

MANUEL DE MAINTENANCE:

Merci de lire attentivement afin de minimiser les risques de blessure, quand bien même ces derniers ne peuvent être évités à 100%. Le fabricant ne peut en aucun cas être tenu responsable d'éventuelles blessures d'enfants qui résulteraient de l'utilisation de la draineuse Kellys KIRU Race.

Il est fortement recommandé à tout utilisateur de la draineuse Kellys KIRU Race de porter les équipements de protection adéquats. Cependant, même les plus sophistiqués et meilleurs équipements ne peuvent dans certains cas éviter les blessures. Observer les règles de sécurité suivantes vont aider à réduire ces risques.

- Avant chaque utilisation, vérifier le bon serrage et fonctionnement, et si nécessaire, procéder au resserrage.
- Que ce soit pour les débutants ou des utilisateurs confirmés, un temps d'adaptation est nécessaire pour la prise en main de la draineuse Kellys et doivent l'utiliser dans des endroits adaptés.
- Le code de la route doit être respecté.
- Lors de son utilisation vous devez rester attentif et rouler avec précaution
- Évitez de rouler sur des endroits mouillés et glissants.
- Rester prudent lors d'utilisation sur des terrains en pente. Ne pas utiliser en descente

Règlage de la hauteur de selle et du guidon

Toutes les pièces de votre draineuse Kellys ont été vérifiées en usine et par votre revendeur. Aussi, vous devriez pouvoir utiliser votre draineuse Kellys immédiatement après votre achat. Avant utilisation, la seule chose à régler est la hauteur de selle et du guidon. Le bon réglage de la hauteur de la selle et guidon vous apporterons un meilleur contrôle et plus de sécurité.

Si vous n'avez pas les outils adéquats afin de procéder à ces réglages, veuillez vous rapprocher de votre revendeur Kellys agréer le plus proche de chez vous.

Règlage de la selle

La hauteur de la selle doit être réglée de façon à ce que l'enfant une fois assis dessus doit avoir les pieds à plat au sol, les genoux légèrement fléchis. La hauteur du guidon doit être réglée de façon à ce que les bras soient à l'horizontale lors de la préhension du guidon. Avant utilisation, vérifiez que la position soit confortable pour l'enfant.

Vérifier et régler régulièrement la hauteur de la selle fonction de la taille de l'enfant.

Si la selle est réglée trop haut, les muscles du dos et des jambes de l'enfant vont être trop et mal

solicités. Au contraire une selle trop basse sollicitera de trop les genoux et les muscles fémoraux. Pour le réglage, desserrer la vis du collier de serrage de tige de selle, régler, puis resserrer. Vérifier périodiquement le serrage.

▲ AVIS IMPORTANT

Merci de respecter la marque d'insertion minimum de la tige de selle dans le tube de selle. Cette marque ne doit pas être visible après réglage de la hauteur de la selle.

Cette marque ne doit pas être visible après réglage de la hauteur de la selle.

Le serrage de la tige de selle doit être suffisamment fort pour empêcher celle-ci de tourner une fois le serrage effectué.

VALEURS DE SERRAGE RECOMMANDÉES

Les vis et écrous doivent être serrés avec une clé dynamométrique. Cette procédure empêchera un serrage excessif et évite d'abîmer les filetages.

Vis M6 du collier de selle : 20 - 35 Nm*

Vis M6 de la potence : 20 - 25 Nm*

Écrous M15 pour le serrage de la roue avant sur la fourche: 20 - 25 Nm*

Écrous M15 pour le serrage de la roue arrière sur le cadre : 25 - 30 Nm*

* Sauf indication contraire, respecter les valeurs recommandées.

MAINTENANCE/SECURITE

De part un usage régulier, une usure normale demande à ce que la draineuse Kellys soit vérifiée régulièrement. Certaines pièces de la draineuse Kellys peuvent arriver en fin de vie et doivent



être impérativement remplacée faute de quoi il y a un risque de rupture qui pourrait entraîner des blessures à l'enfant. Si vous remarquez des fissures, des rayures ou des modifications d'aspects de certaines de ces pièces, merci de procéder immédiatement au remplacement de ces pièces et/ou de vous rendre chez votre revendeur Kellys le plus proche. L'adulte ou le parent qui est en charge de la surveillance de l'enfant lorsque ce dernier utilise la draineuse Kellys, est responsable de l'ensemble des vérifications et serrages cités dans ce manuel. Si vous ne vous sentez pas capable de gérer ces réglages et serrages, merci de vous rapprocher de votre revendeur Kellys le plus proche de chez vous.

Ne pas utiliser la draineuse Kellys si vous remarquez visuellement une fissure ou une déformation du cadre de celle-ci.

Toutes modifications et/ou remplacement de pièces d'origine, peut gravement nuire au bon fonctionnement de la draineuse Kellys. Il en va de même en cas de non-entretien ou si la draineuse Kellys n'est pas vérifiée ou nettoyée régulièrement. Toutes les pièces de cette draineuse Kellys sont sujettes à l'usure et à un stress important.

JANTES

Avant chaque utilisation, vérifier l'état des jantes. Merci de vérifier leur centrage et si elles ne sont pas endommagées.

Rayures et fissures peuvent se produire lors de l'utilisation. En cas de doute, veuillez vous rapprocher de votre revendeur Kellys le plus proche.

PNEUS

Assurez-vous avant chaque utilisation que les pneus ne sont ni sous gonflé ou trop gonflé. Veuillez respecter les valeurs de gonflage indiquées sur les valves des pneus.

Conversion des unités de gonflage: 100kPa = 14.22 P.S.I. = 1 bar = 1 at

FREINAGE

Le système de freinage comprend : Un levier de frein, un câble de frein, un étrier de frein Ar équipé de patins de freins. Ce système de freinage confère à la draineuse Kellys un gage de sécurité important. Le levier de frein droit actionne le frein arrière. Ce frein est assemblé par le fabricant. Pour la sécurité de l'utilisateur, ne pas faire de réglage du frein sans que cela s'impose! Vérifier impérativement le système de freinage de votre draineuse Kellys avant chaque utilisation et au cas ou, remédier à son réglage. Si vous avez un doute quant à son efficacité, merci de vous rapprocher de votre revendeur Kellys le plus proche de chez vous.

CÂBLE DE FREIN

Le système de freinage ne peut fonctionner de façon optimale que s'il est bien réglé. La tension du câble de frein peut se faire depuis la molette de réglage sur le levier de frein. Le fait de lubrifier le câble dans la gaine peut améliorer son fonctionnement. Un embout de câble doit être mis à l'extrémité de celui-ci afin de ne pas blesser. Un câble de frein endommagé doit être immédiatement remplacé.

RÉGLAGE DU FREIN

Les patins de freins doivent être réglés de façon à ce qu'ils se trouvent à 1mm de la jante..

⚠ ATTENTION

Les patins de freins ne doivent pas toucher le pneu, faute de quoi, cela peut provoquer un échauffement du pneu et le faire éclater! Toujours vérifier l'usure des pneus et si nécessaire, les remplacer. Idem pour les patins de freins, en cas d'usure, les remplacer immédiatement.

1. Desserer la vis de sécurité sur l'étrier de frein. En cas de besoin, vous pouvez rapprocher les patins de la jante, afin de faciliter le serrage/desserage de la vis de sécurité (desserer : tourner dans le sens inverse des aiguilles d'une montre et inversement)

2. Si le câble est trop desserré, veuillez le resserrer..

Pour le réglage et serrage du câble, tirer sur celui-ci jusqu'à ce que les patins soient alignés et à 1mm de la jante. Serrer la vis de sécurité

⚠ AVIS IMPORTANT

Attention: en cas d'utilisation en situation humide ou sous la pluie, la distance de freinage est augmentée. Toujours vérifier avant chaque utilisation, le bon fonctionnement du système de freinage. Les freins doivent être ajustés en fonction du style de conduite et de l'âge de l'enfant.

CADRE ET FOURCHE

Contrôlez régulièrement le cadre et la fourche de votre draineuse Kelly. Tout impact ou choc, peut endommager cette dernière. Toujours vérifier le bon état du cadre et de la fourche : toutes fissures, bosses ou autres impacts suspects imposent un contrôle plus poussé par un revendeur Kellys, voir l'arrêt de l'utilisation de la draineuse Kellys.

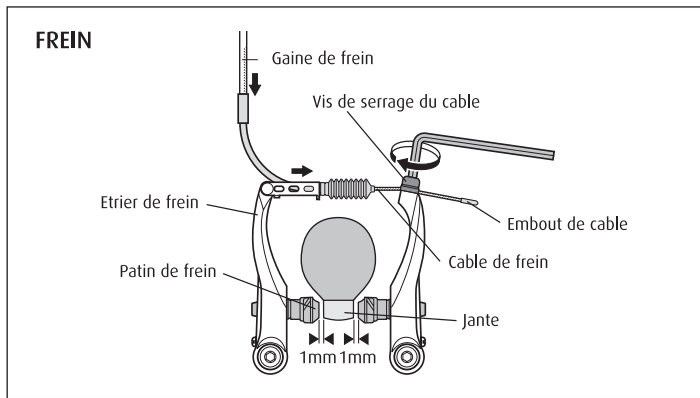


PLATE FORME POUR LES PIEDS

La draisienne KELLYS KITE 12 RACE permet la mobilité aux enfants. Elle est équipée d'une plateforme repose pieds pour à la fois plus de sécurité pour les enfants et également un meilleur équilibre à l'utilisation de ces derniers...

NETTOYAGE DE LA DRAISIENNE

Pour le nettoyage du vélo sans pédale, nous recommandons d'utiliser un agent de nettoyage biodégradable KELLYS BIKE CLEANER en combinaison avec de l'eau chaude et une serviette douce. Avant de nettoyer, enlever le plus gros de la saleté. Après le nettoyage, laissez la draisienne Kellys sécher et/ou essuyez-la avec une serviette douce et propre. Assurez-vous qu'aucun liquide ne pénètre dans les roulements et les roulements. Ne pas utiliser de diluant ou d'agents similaires. N'utilisez pas de sèche-cheveux ou d'autres appareils de chauffage pour faire sécher. Faute de quoi vous pourriez endommager votre draisienne Kellys.

INSTRUCTIONS

1. Ne pas utiliser la draisienne Kellys sur la voie publique!
2. Toujours mettre un casque.

3. Ne roulez pas à proximité des véhicules à moteur.
4. Effectuer le freinage sur une zone plane.
5. Ne montez jamais sur des marches, des pentes abruptes, des collines, des sentiers, des rues, des bassins et 'autres réservoirs d'eau.
6. La draisienne Kellys ne peut être utilisée que par une seule personne à la fois.
7. Ne jamais utiliser par temps de pluie.
8. Ne pas attacher d'autres véhicules, des rollers etc à la draisienne Kellys
9. Ne pas utiliser la draisienne Kellys de nuit.
10. Toujours porter des équipements de protections et des chaussures adaptées.
11. Assurez-vous d'éviter les piétons et toujours faire en sorte de rester maître de sa draisienne.
12. Les trous, les ornières, les feuilles, le gravier, les flaques d'eau et les ordures peuvent entraîner la perte de contrôle.
13. Ne roulez pas sur la route et sur la surface cahoteuse.
14. Toujours tenir le guidon avec les deux mains.
15. Ne pas porter quoi que ce soit qui empêcherait votre audition.

ROULER AVEC LA DRAISIENNE KELLYS

1. Réglage de la taille de la draisienne:

La selle doit être réglée de façon à ce que l'enfant puisse se tenir debout sur le sol avec une semelle entière de pieds et avec les genoux légèrement fléchis. Le guidon doit être ajusté de telle sorte que les membres supérieurs soient approximativement en position horizontale lorsqu'ils saisissent le guidon. Vérifiez si cette position est confortable pour l'enfant et réglez régulièrement la position en fonction de la hauteur réelle de l'enfant.

2. 1er tours de roues:

Si l'enfant est capable de soulever la draisienne du sol, il est également capable de l'entraîner. Il n'est pas nécessaire de fournir une explication complexe de l'utilisation de la draisienne Kellys à l'enfant, et mis à part la nécessité de le surveiller, l'enfant va très vite trouver ces marques au guidon de la draisienne Kellys, c'est naturellement qu'ils vont arriver à maîtriser leurs déplacements. La seule chose à toujours vérifier au début, c'est de s'assurer que l'enfant est bien assis sur la selle et non pas sur le tube horizontal du cadre.

3. Poussée:

L'enfant doit pousser le sol vers l'avant en alternant les pieds gauche et droit. La mobilité sera facilitée dès lors qu'il fera cette poussée au sol en partant de la pointe des pieds vers le talon et ce de façon alterné avec les 2 pieds.



4. Équilibrage:

The L'enfant arrivera à s'équilibrer en gainant simplement son dos et son bassin. Dès lors que l'enfant arrivera à maîtriser l'équilibre lors de son déplacement avec la draisiennne Kellys, il sera également capable très rapidement de maîtriser d'autres deux-roues tel qu'un vélo à pédales. La maîtrise de l'équilibre avec la draisiennne Kellys permettra également à l'enfant de renforcer les muscles du dos, son développement intellectuel et physique tout en améliorant ces capacités motrices et de coordination.

5. Si l'enfant à besoin d'aide:

Une fois l'enfant installé sur la draisiennne Kellys, saisir le guidon et la selle et faire avancer la draisiennne Kellys en faisant de petit virages successifs à gauche et à droite. Très vite l'enfant s'équilibrera de lui-même.

GARANTIE

Le vendeur doit fournir une période de garantie de 24 mois au client à la date d'achat de la draisiennne KELLYS KIRU RACE.

CONDITIONS DE LA GARANTIE

La période de garantie est de 24 mois. En cas d'immobilisation pour réparation pour tout défaut pris en charge par la dite-garantie, celle-ci est prolongée d'autant.

LA GARANTIE NE S'APPLIQUE PAS AUX DEFAUTS CAUSÉS PAR:

- un dommage cause par le fait que la draisiennne Kellys n'ait pas été préparé par un revendeur agréé par Kellys Bicycles (par exemple, le fait de ne pas respecter la marque d'arrêt de la sortie de la tige de selle, ou de la potence au niveau de la fourche). Cela peut aussi être un mauvais entretien ou si elle est stocké dans un endroit inadéquat. Les réparations faites par un revendeur non agréé par Kellys Bicycles ou les modifications de pièces non conformes, ainsi que par un accident ne sont pas pris en compte dans le cadre légal de la garantie.
- Les pièces d'usure : pneus, jantes, selle, guidon, ne sont pas pris en compte par la garantie.
- Les rayures et les éclats de peinture suite à une chute, ne sont pas pris en compte par la garantie.

La responsabilité du vendeur est de vérifier toutes les parties de la draisiennne Kellys pour leur fonctionnalité. Le fabricant n'acceptera aucune responsabilité pour les blessures, les dommages ou les pannes résultant d'un montage défectueux ou d'une maintenance incorrecte après l'expédition du produit, ainsi que pour une préparation insuffisante du vendeur.



Gentile cliente, grazie per avere acquistato una bicicletta senza pedali KELLYS KIRU RACE. Questo prodotto è stato controllato, testato e successivamente approvato secondo i termini degli standard del provvedimento EN-71. Questi test sono implementati per garantire alta qualità e sicurezza nel periodo d'uso.

Il carico massimo supportato dalla bicicletta senza pedali KELLYS KIRU RACE è 50 kg. Attenzione! Non adatta a bambini di età inferiore ai 3 anni a causa della dimensione del prodotto. Questa bicicletta senza pedali non è intesa per l'utilizzo nel sistema di strade urbane.

Produttore : KELLYS BICYCLES s.r.o., Veľké Orvište, Slnecná Cesta 374, 922 01, Slovakia



Per assicurarvi la massima soddisfazione e sicurezza di utilizzo del prodotto acquistato, ti invitiamo a leggere queste istruzioni prima dell'uso. Ti aiuteranno a comprendere ed utilizzare il prodotto. Queste istruzioni d'uso sono parte integrante del prodotto acquistato. Conservare per la consultazione quando ve ne fosse bisogno. Per eventuali controlli e riparazioni della tua nuova bicicletta senza pedali affidati al rivenditore del prodotto.

DESCRIZIONE DELLA BICICLETTA SENZA PEDALI KELLYS KIRU RACE CON FRENI:

L' elegante bicicletta senza pedali KELLYS KIRU RACE è uno strumento ideale per lo sviluppo delle abilità motorie e della coordinazione. Il risultato è un apprendimento più veloce che porterà il bambino a padroneggiare in meno tempo una bicicletta. L'utilizzo della bicicletta senza pedali all'esterno dona divertimento, nell'utilizzo il bambino impara l'equilibrio necessario per guidare un mezzo a due ruote. La bicicletta senza pedali KIRU usa un leggero telaio in alluminio, un reggisella regolabile, ruote da 12" con pneumatici gonfiabili che assorbono le vibrazioni per una guida confortevole e provvisti di trama antiscivolo. La bicicletta senza pedali KELLYS KIRU RACE soddisfa i rigidi regolamenti di sicurezza richiesti dalla standard Europeo EN-71.

KELLYS KIRU RACE:

leggero telaio in magnesio
appoggio piedi integrato nel telaio
sistema frenante : V-Brake
altezza sella regolabile da 330mm a 420mm

larghezza manubrio 400mm, diametro 22.2mm
coperture da 12" con denso tassellamento
mozzo e cuscinetti ruota in acciaio
cerchi in alluminio, raggi in acciaio
serie sterzo con cuscinetti in acciaio
peso 4,1 kg

▲ NOTA IMPORTANTE:

- Il prodotto è inteso per l'utilizzo di bambini, il suo uso deve quindi esser supervisionato da un adulto.
- Prima dell'utilizzo controlla che la bicicletta senza pedali sia correttamente assemblata
- Prima dell'utilizzo leggi attentamente il manuale d'uso. Tralasciare lo studio del manuale d'uso può portare danni alla salute del bambino nell'utilizzo del prodotto.
- Attenzione! Non utilizzabile da bambini sotto i 3 anni d'età.
- L'assemblaggio e regolazione devono essere eseguite da un adulto o dal rivenditore.
- Il carico massimo supportato del prodotto è 50 kg.
- Gli attrezzi per l'assemblaggio non sono inclusi.
- Assicuratevi che il tuo bambino sia istruito sulle regole e gli avvertimenti di sicurezza di cui queste istruzioni sono oggetto.
- Prima di ogni utilizzo assicuratevi che tutte le parti che compongono la bicicletta siano funzionanti e che la tensione di serraggio delle viti e bulloni sia ottimale.
- Non esagerare nella pressione del pneumatico, il limite è segnalato nel bordo dello stesso.
- Nella guida del prodotto è necessario l'utilizzo di protezioni quali elmetto, ginocchiere, gomitiere e scarpe solide.
- Se una qualsiasi parte della bicicletta è danneggiata, deve venire riparata o sostituita prima di un ulteriore utilizzo.
- Evita di colpire oggetti appuntiti, guidare su tombini e repentini cambi di superficie.
- Evita strade bagnate o troppo sabbiose, con ciottoli e/o sassi, sporco, foglie o altri ostacoli. Pioggia, scarsa illuminazione e/o visibilità possono ostacolare al guida. Non usare al buio.
- Non utilizzare in discesa.
- La bicicletta senza pedali non è destinata per l'utilizzo sul sistema stradale urbano e civico.

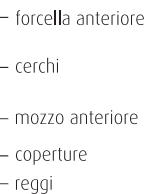
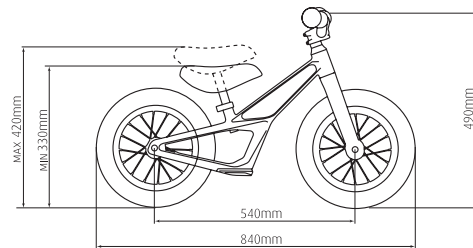
A seconda delle condizioni dell'ambiente, la bicicletta senza pedali può essere pericolosa quando è in uso. Questo manuale d'uso contiene una serie di suggerimenti e raccomandazioni riguardanti la sicurezza ed il funzionamento del prodotto.



COMPONENTI KELLYS KIRU RACE



larghezza manubrio: 400mm





Leggere attentamente per ridurre il rischio di lesioni, tale rischio non può mai essere completamente eliminato. Il costruttore non è responsabile di eventuali infortuni al bambino causati dall'utilizzo della bicicletta senza pedali.

Si consiglia a tutti gli utenti della bicicletta senza pedali di indossare la propria attrezzatura protettiva per la loro sicurezza. Anche le attrezzature protettive più sofisticate non possono impedire lesioni in alcune situazioni. L'osservanza delle seguenti regole può ridurre questo rischio a un livello accettabile.

- Prima di ogni corsa, controllare che tutti i giunti a vite siano correttamente serrati. Se necessario stringere.
- I principianti ed i piloti avanzati, che non hanno usato la bicicletta per un lungo periodo di tempo, dovrebbero allenarsi prima in posti adatti allo scopo.
- Le regole e le norme stradali devono essere rispettate.
- Quando si guida, è necessario tenere sempre vigilanza e fare attenzione.
- Evitare di guidare su superfici bagnate o scivolose.
- Fare attenzione quando si guida su aree inclinate; la corsa può risultare pericolosa.
- Non usare in discesa.

REGOLARE LA POSIZIONE DELLA SELLA E DEL MANUBRIO

Tutte le parti funzionali della bicicletta senza pedali sono pre-regolate dal produttore e controllate dal vostro venditore. Quindi potete usare la bicicletta senza pedali già da subito. Prima dell'utilizzo regola l'altezza della sella e del manubrio. L'altezza della sella deve essere regolata in modo da fornire il massimo comfort mantenendo un sicuro controllo e stabilità.

Se non disponete degli attrezzi appropriati o necessitate assistenza, vi consigliamo di contattare il rivenditore KELLYS Bike a voi più vicino.

REGOLAZIONE DELLA SELLA

La sella deve essere posizionata ad una altezza tale in cui il bambino possa appoggiare saldamente i piedi al terreno con una moderata inclinazione del ginocchio. Il manubrio deve essere regolato in modo che gli arti superiori siano approssimativamente in una posizione orizzontale nel mentre viene impugnato. Assicurati poi che la posizione sia comoda al tuo bambino.

Aggiusta regolarmente la bicicletta senza pedali per adattarla all'altezza del tuo bambino. Se la sella dovesse essere troppo alta, le gambe e la schiena verranno sollecitate eccessivamente. Se la sella fosse troppo bassa invece saranno le ginocchia ed i muscoli femorali a ricevere troppo carico. Allenta le viti, correggi la posizione e richiudi bene la vite. controlla il serraggio prima dell'uso.

▲ NOTA IMPORTANTE:

Vi è un indicazione nel reggi-sella che indica il punto di inserto minimo nel telaio. Non chiudere mai il reggi-sella oltre tale indicazione. Il meccanismo del dado del reggi-sella deve essere stretto al punto in cui non vi siano rotazioni dello stesso nel telaio.

VALORI DI SERRAGGIO RACCOMANDATO

Le viti ed i dadi devono essere serrati mediante una chiave dinamometrica. Questa procedura impedisce un eccessivo serraggio e danni ai filetti.

M6 Vite per serraggio reggi-sella 20 - 35 Nm*

M6 Vite per serraggio attacco manubrio 20 - 25 Nm*

M15 Vite esagonale, per il serraggio della ruota anteriore alla forcella 20 - 25 Nm*

M15 Vite esagonale, per il serraggio della ruota Posteriore al telaio 20 - 25 Nm*

*Se non specificato diversamente attenersi ai valori raccomandati

CURA E MANUTENZIONE

La bicicletta senza pedali è un prodotto soggetto ad usura. Una regolare manutenzione e cura è richiesta. I vari componenti e materiali che la compongono possono rispondere all'usura ed allo stress in vari modi. Se la vita utile di una parte funzionale è superata essa può rompersi con possibili danni all'utilizzatore. Se notate scricchiolii, crepe o cambi di colore, indicatori dello stress di una parte affrettatevi alla sua sostituzione.

Un parente od un adulto che segua il bambino è responsabile del controllo di serraggio ed usura delle varie parti che compongono la bicicletta senza pedali. Se non potete eseguire la manutenzione voi stessi, affidatevi al vostro rivenditore od altro centro specializzato KELLYS Bike. Per la sostituzione di parti specifiche contattate il vostro rivenditore di fiducia.

In caso di urto od incidente, controllate la bicicletta senza pedali ed assicuratevi se vi sono tracce di danni.



Non usate assolutamente la bicicletta senza pedali se il telaio è crepato o visibilmente deformato. Ogni cambio nelle parti originali, materiali o costruzione della bicicletta senza pedali può significativamente diminuire la sua funzionalità. Lo stesso vale nel caso di sporco eccessivo o danneggiamento. Tutte le parti meccaniche della bicicletta sono soggette ad usura ed esposte ad uno stress significativo.

CERCHI

Prima di ogni utilizzo, assicuratevi che le ruote della bicicletta senza pedali siano correttamente centrate e che i cerchi non presentino danni. Crepe e scricchiolii nel cerchio possono presentarsi come risultato dell'uso. Correre con un cerchio danneggiato è pericoloso - Sostituire il cerchio se necessario!

COPERTURE

Assicuratevi che le coperture non siano sgonfie nè troppo gonfie. Usa i valori raccomandati di pressione come specificato nel bordo di ogni copertura. Valori di conversione delle unità di pressione visibili nelle coperture : 100kPa = 14.22 P.S.I. = 1 bar = 1 at

SISTEMA FRENANTE

Il sistema frenante è composto dalla leva freno, cavi, ganascia freno e pattini freno, è un importante componente della bicicletta senza pedali. La leva destra attiva il freno posteriore. Il freno è regolato dal produttore. Per la vostra sicurezza non eseguite regolazioni del sistema frenante a meno che non sia necessario! controlla periodicamente l'usura delle superfici di frizione, dei pattini e tieni il cerchio pulito. Se il sistema frenante perde regolazione deve essere regolato di nuovo, affidatevi al vostro rivenditore per l'assistenza.

CAVI FRENO

Il sistema frenante della bicicletta senza pedali sarà efficiente solo se i cavi sono correttamente tesi. I cavi freno posso esser regolati tramite le viti presenti nella leva freno. Lubrificare i cavi freno e le guaine interne per una corsa più fluida. La ghiera alla fine del cavo deve esser posizionata bene sul cavo per prevenirne rotture. Cavi usurati o danneggiati devono essere sostituiti con dei nuovi cavi.

REGOLAZIONE DEL FRENO

I pattini del freno devono essere posizionati ad una distanza di 1 mm dal cerchio nei sistemi V-Brake.

ATTENZIONE

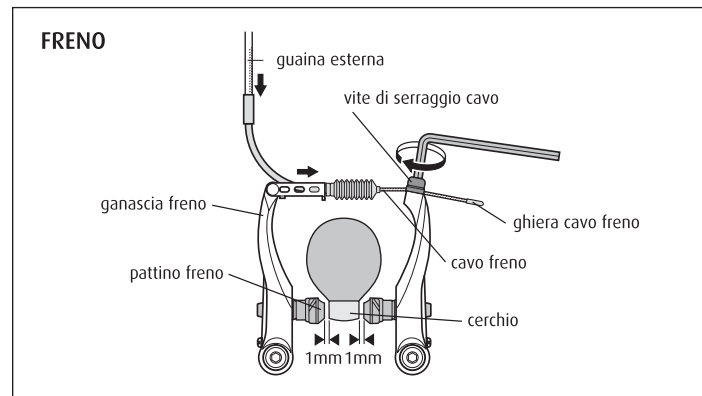
I pattini del freno non devono toccare la superficie della copertura - altrimenti questo può causare un sovra-riscaldamento della stessa. Controlla l'usura e se necessario, provvedi alla sostituzione. Sostituisci i pattini freno usurati con dei nuovi originali e compatibili con il tuo sistema frenante.

1. allenta il bullone di sicurezza della viti di regolazione nella leva freno. Se necessario porta i pattini vicino al cerchio, gira la vite di regolazione in senso antiorario rispetto la sua sede. Richiudi poi il bullone di sicurezza.
2. Se il cavo è troppo allentato, ruota la vite di regolazione sulla leva freno in senso orario.

Ora rilascia la vite che assicura il cavo nella ganascia del freno. Tira il cavo così che i pattini freno siano allineati con il cerchio. Stringi bene la vite e controlla il corretto funzionamento del freno.

NOTA IMPORTANTE:

Presta attenzione quando freni su superfici bagnate - la distanza di frenata della bicicletta senza pedali sarà maggiore! Prima di ogni guida assicurati e controlla che il sistema frenante della tua bicicletta si in condizioni perfette. I freni devono essere regolati in base all'età del bambino ed allo stile di guida.



TELAIO E FORCELLA ANTERIORE

Esegui controlli regolari del telaio e della forcella anteriore per eventuali danni. Danni al telaio od alla



forcella anteriore (piegamenti o crepe nei tubi e nelle giunture) sono spesso risultato di incidenti. Non usare la bicicletta senza pedali se il telaio o la forcella anteriore sono danneggiati, la vostra salute potrebbe essere seriamente compromessa.

PIASTRE INTEGRATE PER I PIEDI

Il prodotto KELLYS KIRU RACE è garantisce mobilità al bambino. E' equipaggiata con una piastra per i piedi integrata al telaio. Se le gambe del bambino sono troppo estese, esso non potrà frenare. Come risultato esso potrebbe perdere l'equilibrio e perdere il controllo della bicicletta arrecando danni a se stesso e altri.

Nel caso contrario, il rischio è di battere contro od avere i vestiti incastrati alla superficie.

PULIZIA DELLA BICICLETTA SENZA PEDALI

Per la pulizia della bicicletta senza pedali consigliamo l'uso di agenti pulenti biologici e biodegradabili come il KELLYS BIKE CLEANER uniti ad acqua calda ed una morbida spugna. Prima della pulizia rimuovere lo sporco in eccesso. Dopo la pulizia lasciare asciugare la bicicletta senza pedali o asciugarla con un soffice panno. Assicuratevi di non far penetrare liquido nei cuscinetti della ruota. Non usare diluenti o agenti simili. Non usare asciugacapelli o altri sistemi di riscaldamento per velocizzare l'asciugatura. Potreste danneggiare la bicicletta senza pedali.

ISTRUZIONI PER LA GUIDA

1. Non usare la bicicletta senza pedali nelle sistema di strade urbane e civili.
2. Usa sempre l'elmetto
3. Non guidare in prossimità di mezzi e veicoli a motore
4. Allenati a frenare in un posto sicuro
5. Non guidare in prossimità di scalini, colline, buche, crepe, pozze d'acqua, piscine, strade.
6. La bicicletta senza pedali può essere usata da una sola persona alla volta
7. Non usare la bicicletta senza pedali con la pioggia
8. Non agganciare carrelli, altri veicoli, altri bambini con i pattini o skateboards alla bicicletta.
9. Non usare bicicletta senza pedali di notte
10. Usa sempre scarpe solide e materiale protettivo quando guidi la bicicletta senza pedali.
11. Assicurati di mantenere una corretta distanza dai pedoni. Non correre vicino ai pedoni. Evita di perdere il controllo della tua bicicletta senza pedali.
12. Buche, foglie, terriccio, fango, crepe e sporcizia nel percorso possono farti perdere il controllo.
13. Non guidare sulla strada o su superfici sconnesse.
14. Tieni sempre il manubrio con entrambe le mani
15. Non indossare nulla che possa evitarti di udire.

GUIDARE LA BICICLETTA SENZA PEDALI

1. Regolare le misure della bicicletta senza pedali:

La sella deve essere posizionata ad un'altezza tale in cui il bambino possa stare ritto sul terreno con la suola del piede ben appoggiata, avendo le ginocchia moderatamente piegate. Il manubrio deve essere regolato così che le braccia siano in una posizione approssimativamente orizzontale nel mentre viene impugnato. Assicuratevi poi di vedere se la posizione è comoda al bambino.

Controlla regolarmente queste misure così da adattarle all'altezza attuale del bambino.

2. Iniziare :

Se il bambino può alzare la bicicletta senza pedali sarà anche in grado di utilizzarla. Non è necessario fornire una complessa spiegazione al bambino riguardo il funzionamento della bicicletta, lasciate che il bambino la usi. Guardate e siate presenti durante l'uso della bicicletta senza pedali. I bambini hanno una buona abilità di apprendimento che può accrescere dal lasciare che prendano da soli confidenza con la bicicletta. Normalmente troveranno presto un modo per muoversi e guidare la bicicletta senza pedali. Quando il bambino usa la bicicletta assicuratevi che sia seduto sulla sella e non nel tubo del telaio.

3. Spinta:

Il bambino dovrebbe spingersi in avanti alternando il piede destro e sinistro sul terreno. Come risultato, guadagnerà una maggiore velocità. La guida sarà più semplice se si spingerà con le punte dei piedi, ritornando con il tallone al suolo in modo fluido.

3. Bilanciamento:

Il bambino dovrebbe bilanciarsi sulla bicicletta senza pedali principalmente con la schiena ed il bacino. Appena quest'abilità verrà padroneggiata, il bambino sarà in grado di utilizzare anche altri mezzi a due ruote per bambini. La guida della bicicletta senza pedali supporta il bilanciamento e lo sviluppo sia fisico che intellettuale, rafforza la muscolatura della schiena, aumenta la coordinazione e le funzioni locomotive in generale.

4. Nel caso il bambino necessiti aiuto:

Lasciate che il bambino sieda sulla bicicletta senza pedali impugnando il manubrio. Afferrate il tubo superiore del telaio e muovete leggermente verso destra e sinistra. Il bambino si adatterà a questo nuovo tipo di movimento bilanciando la sua seduta.

TERMINI E CONDIZIONI DI GARANZIA

Il rivenditore deve provvedere ad un periodo di garanzia di 24 mesi verso l'acquirente della bicicletta



senza pedali KELLYS KIRU dalla data d'acquisto.

CONDIZIONI DELLA GARANZIA

Il periodo di garanzia può essere esteso al tempo necessario alla riparazione sotto garanzia. Nel corso del periodo di garanzia, qualsiasi difetto dovuto al materiale, errori di funzionamento e di assemblaggio, verranno riparati senza spese.

LA GARANZIA NON SI APPLICA A DIFETTI CAUSATI DA:

L'utente, come danni dovuti ad un assemblaggio non professionale, elaborazione, (insufficiente inserimento del reggi-sella nel telaio o dell'attacco manubrio, tensione delle viti, uso improprio o negligente della bicicletta senza pedali, (conservazione impropria), danni dovuti ad incidenti, riparazione non professionale, manutenzione impropria della bicicletta senza pedali, danni causati dal cambio di componenti con parti non compatibili all'equipaggiamento della bicicletta senza pedali, modificazioni tecniche del telaio della bicicletta.

Usura comune delle parti in gomma e plastica della bicicletta senza pedali (coperture, raggi, sella, manubrio)

Danni meccanici - usura dovuta al comune uso della bicicletta bicicletta senza pedali (difetti nella verniciatura di superficie).

E' responsabilità del venditore controllare tutte le parti della bicicletta senza pedali ed assicurarsi del corretto funzionamento. Il produttore non sarà responsabile di incidenti, danni o malfunzionamenti dovuti ad assemblaggio errato o manutenzione impropria, dopo che il prodotto è stato spedito, a causa di un insufficiente servizio pre-vendita.

⚠️ NOTA

Il certificato di garanzia è parte dell'equipaggiamento del prodotto. Dovreste quindi, nel vostro interesse, conservarlo in un luogo sicuro.

Vertrieb DE:

KELLYS BICYCLES DEUTSCHLAND,
Am Waldberg 15, 12683 BERLIN

Distributor v ČR:

KELLYS BICYCLES CZECH REPUBLIC s.r.o.,
Havlíčková 426, 753 01 HRANICE

Dystrybutor w PL:

KELLYS Sp. z o.o., ul.
E. Kwiatkowskiego 24, 55-011 Siechnice k. Wrocławia

Distribútor v SR:

KELLYS BICYCLES s.r.o.,
Slnecná cesta 374, 922 01 Veľké Orvište



**RIDE
YOUR
LIFE**